

DTI

Radio Networks

Digital Transmission in Interf. Limited Systems

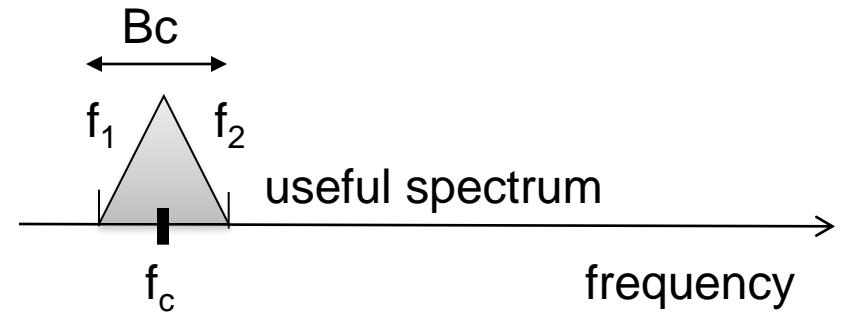
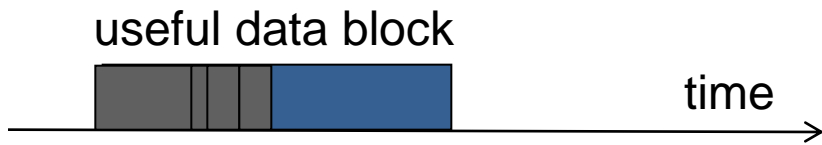
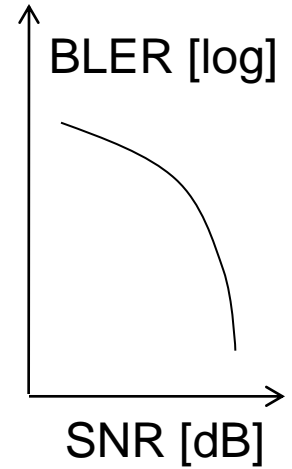
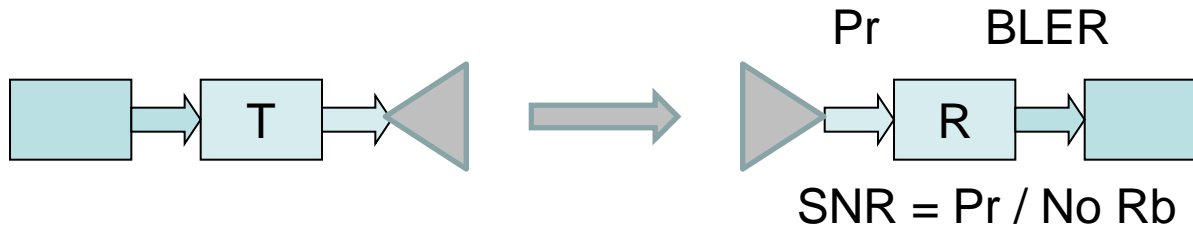
Roberto Verdone
www.robertoverdone.org

Outline

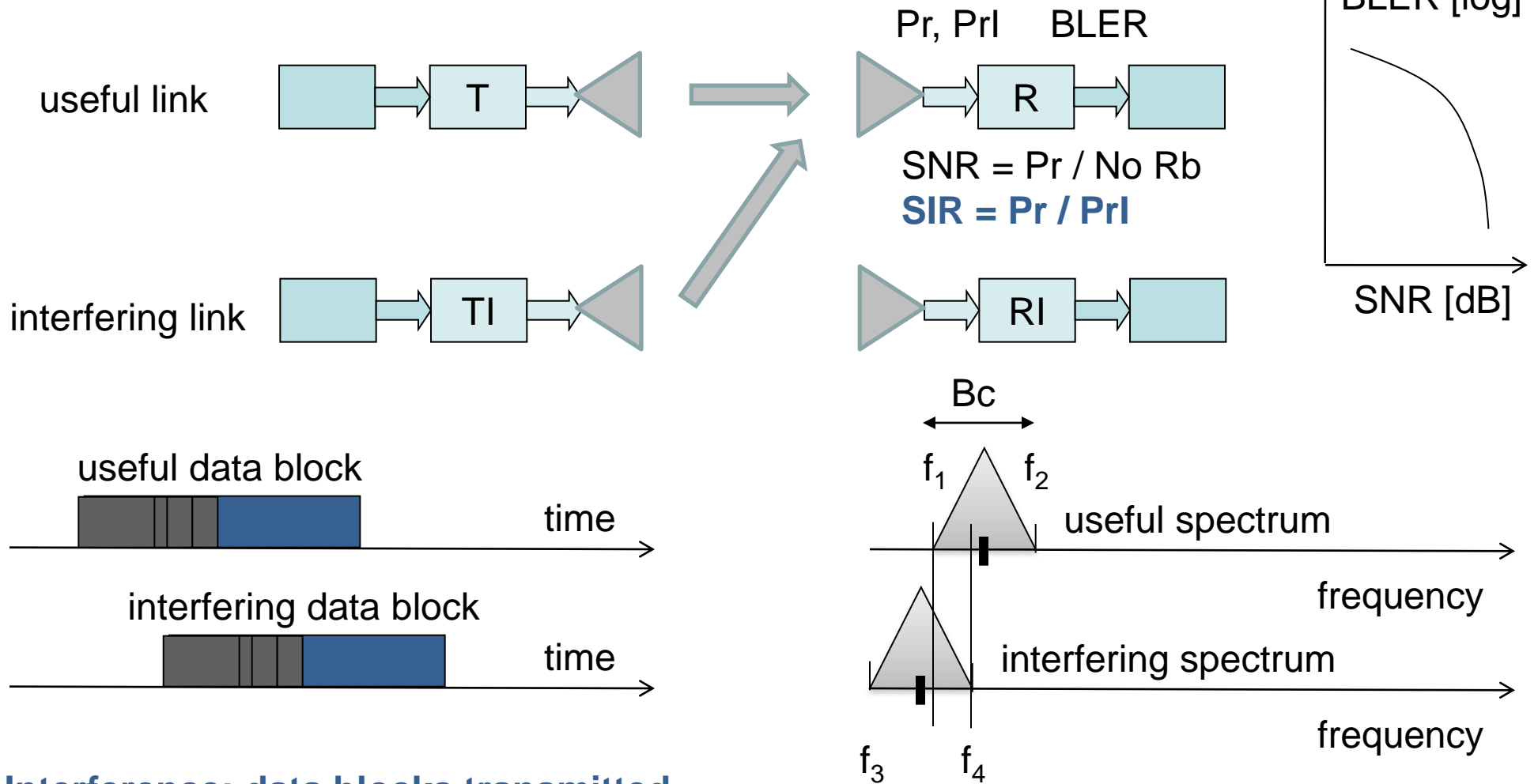
1. **Fundamentals of Wireless Networking**
2. **Communication Link with Interference: System Model**
3. **Linear and Non Linear Demodulation**
4. **Interference Based Power Control**
5. **Link Performance (BER) of M-QASK with Interference**
6. **Capture Effect**
7. **Direct Sequence Spread Spectrum with Interference**
8. **Link Level Outage Probability with Fading and Interference**
9. **Impact on Interference of Countermeasures to Fading**
10. **Interference Based Power Control Under a Network Level View**
11. **Exercises**

The scope of this lecture block is to introduce the fundamentals of digital transmission techniques for interference limited links. The ultimate goal is the discussion of the concept of *capture effect*.

Capture Effect

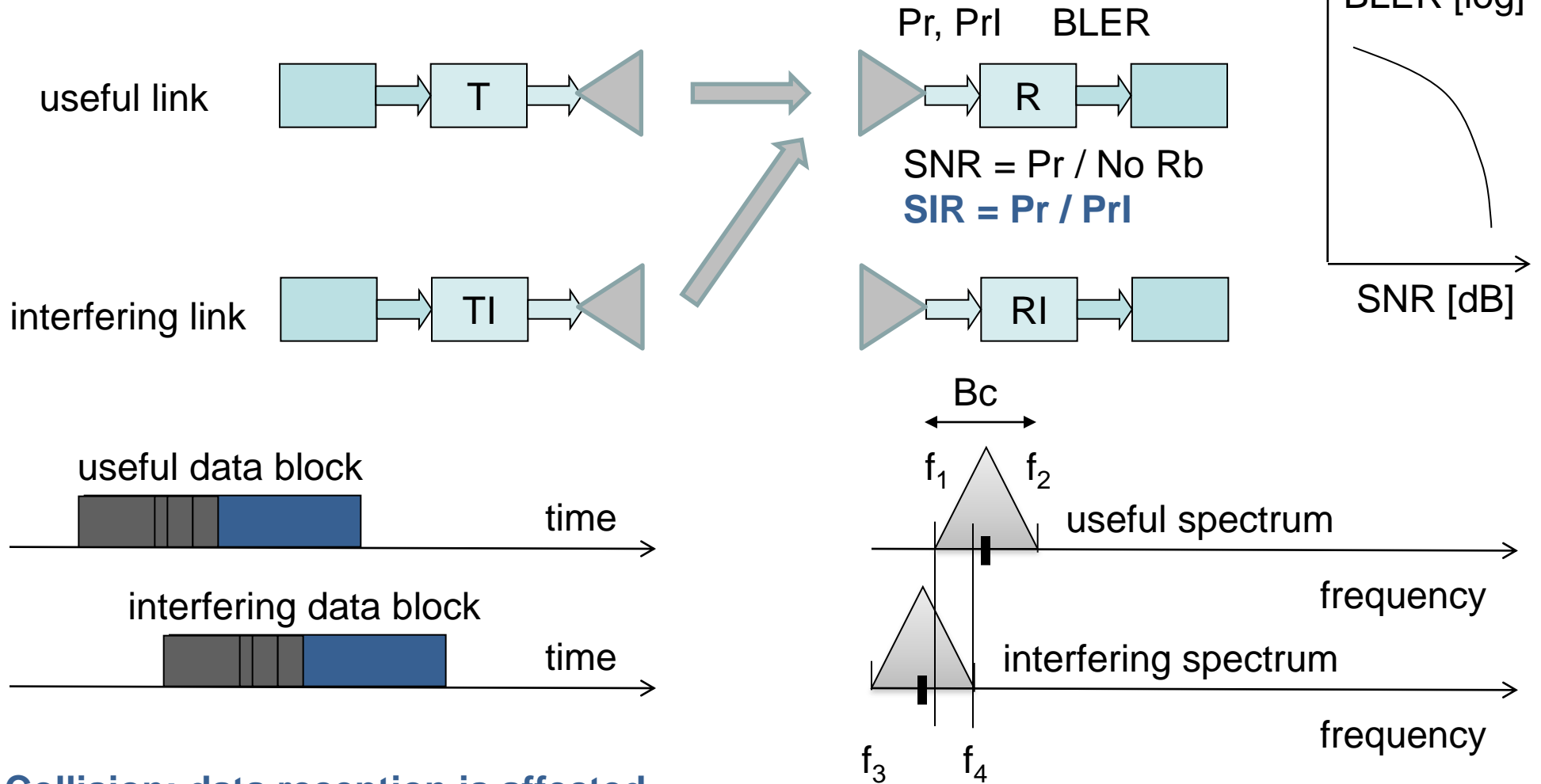


Capture Effect



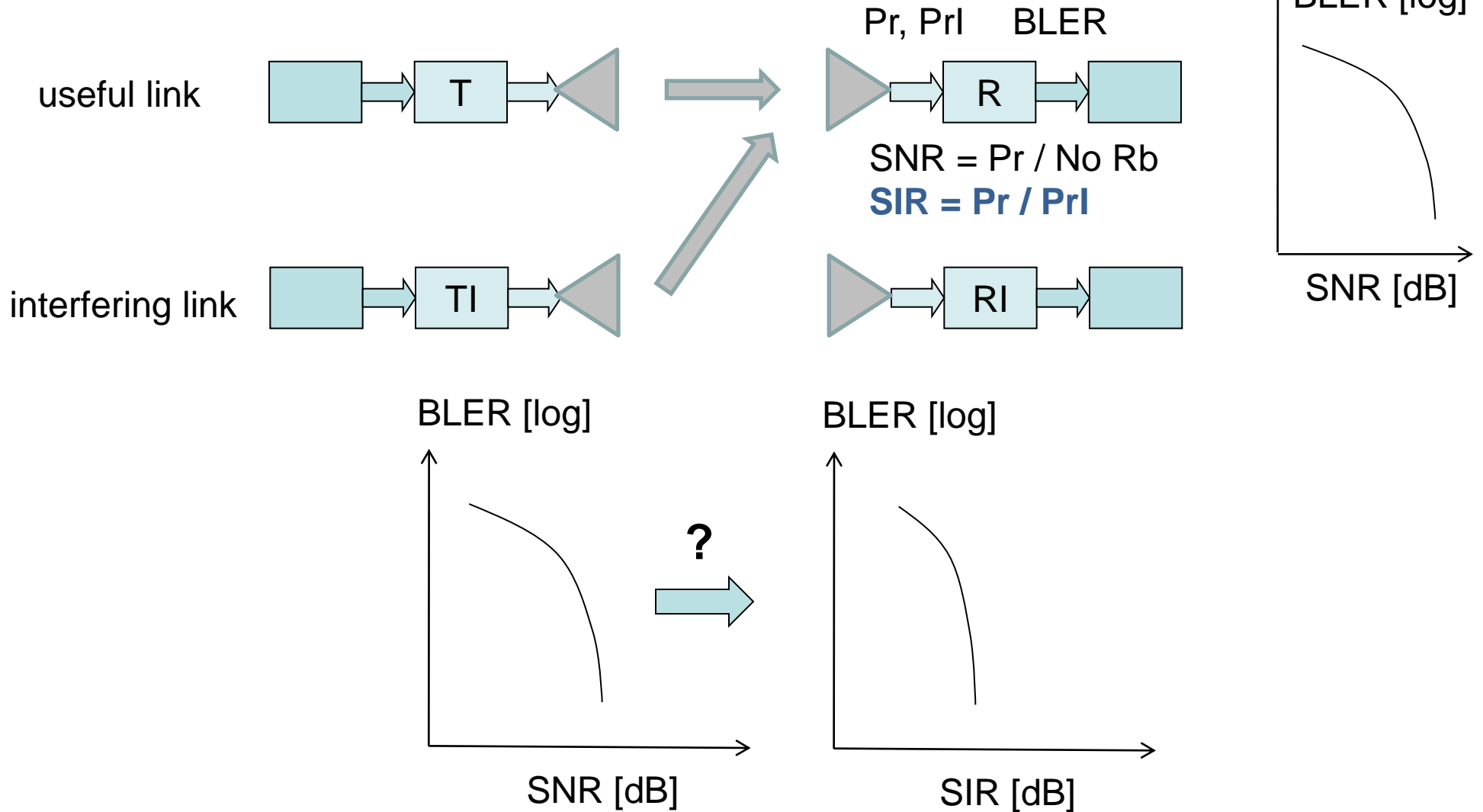
Interference: data blocks transmitted (at least partially) simultaneously (at least partially) on the same frequencies

Capture Effect

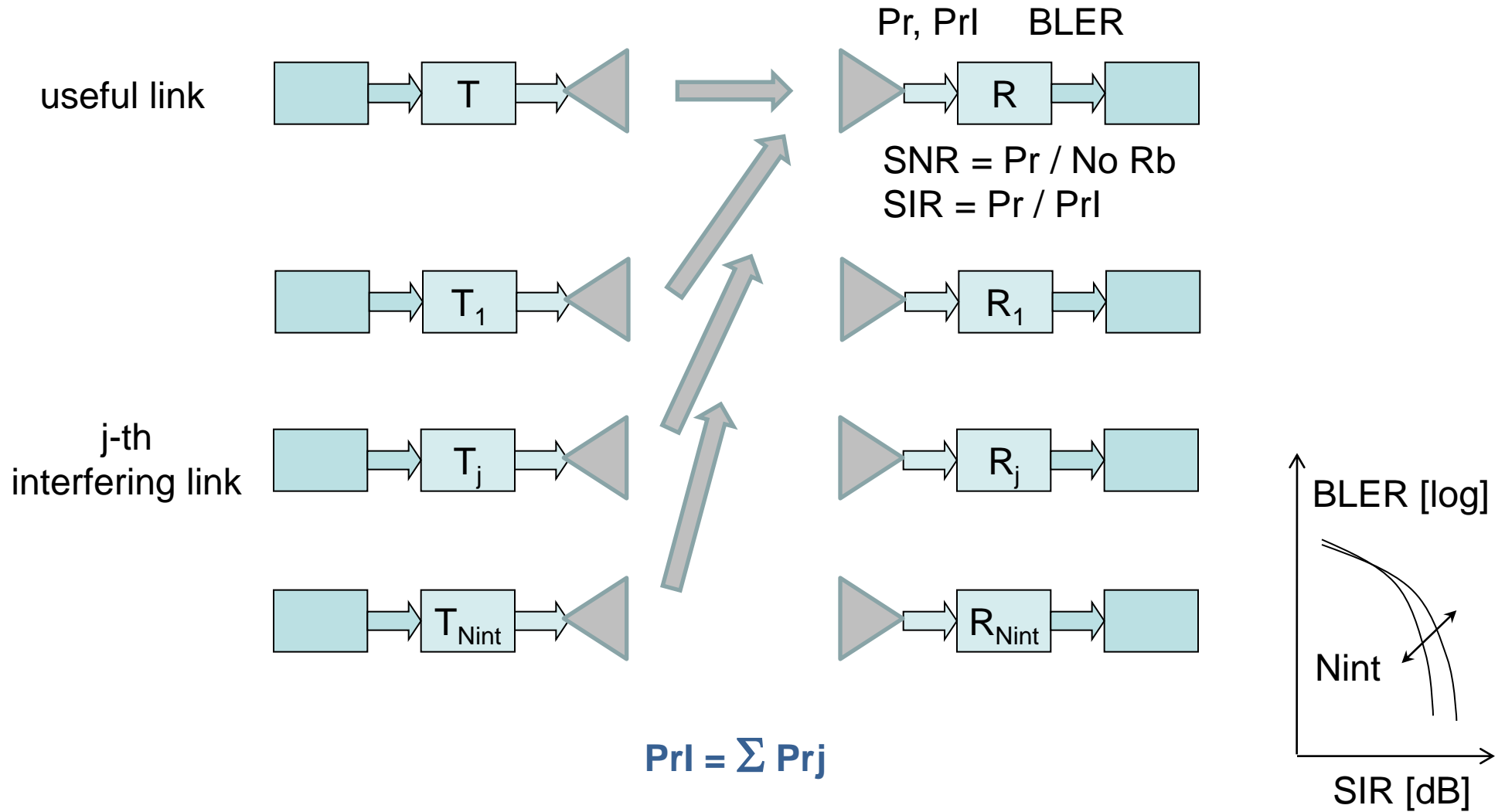


Collision: data reception is affected by interference

Capture Effect



Capture Effect



1. Fundamentals of Wireless Networking

Fundamentals of Wireless Networking

Networks



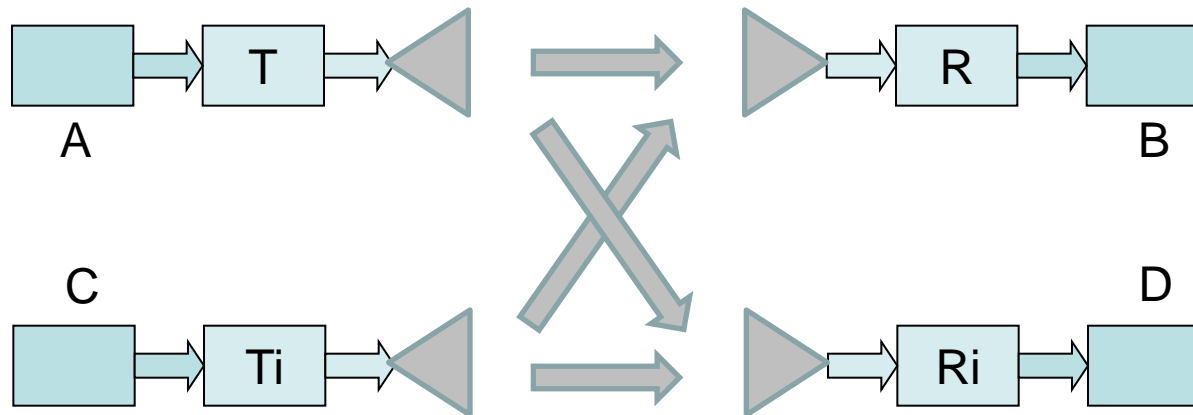
Mutual Interactions

Fundamentals of Wireless Networking

Networks



Mutual Interactions



Interference Management is a key Issue:

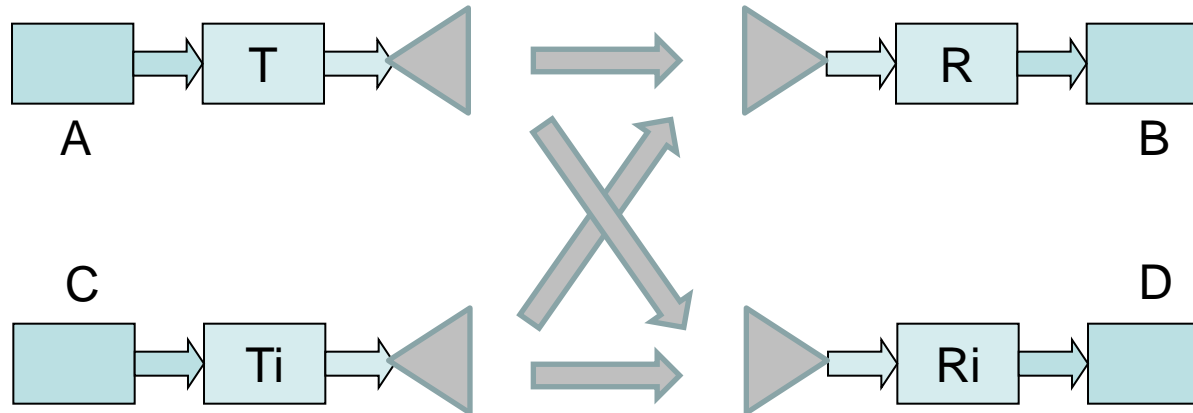
- Interference Avoidance → collision less
- Interference Averaging → collisions are statistically controlled
- Interference Rejection → collision less
- Collision Resolution → collision prone

Fundamentals of Wireless Networking

Networks



Mutual Interactions



Interference Management is a key Issue:

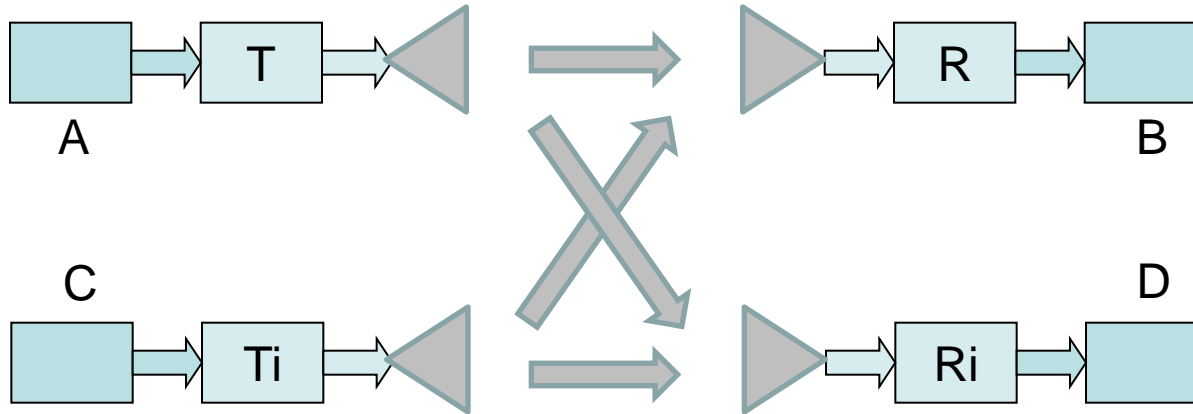
- Interference Avoidance → PHY or DATA LINK or NETWORK Layer
- Interference Averaging → PHY or DATA LINK Layer
- Interference Rejection → PHY Layer
- Collision Resolution → DATA LINK Layer

Fundamentals of Wireless Networking

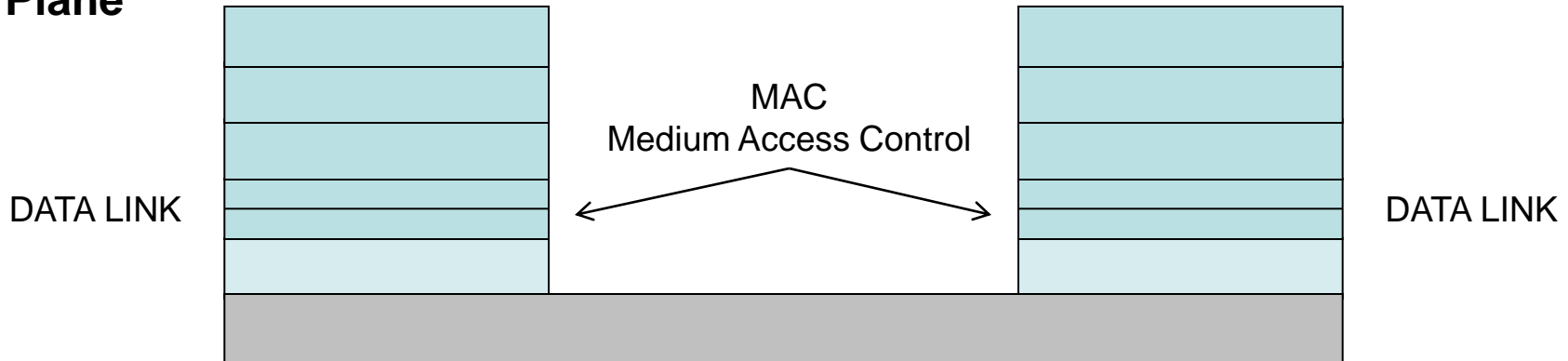
Networks



Mutual Interactions



User Plane

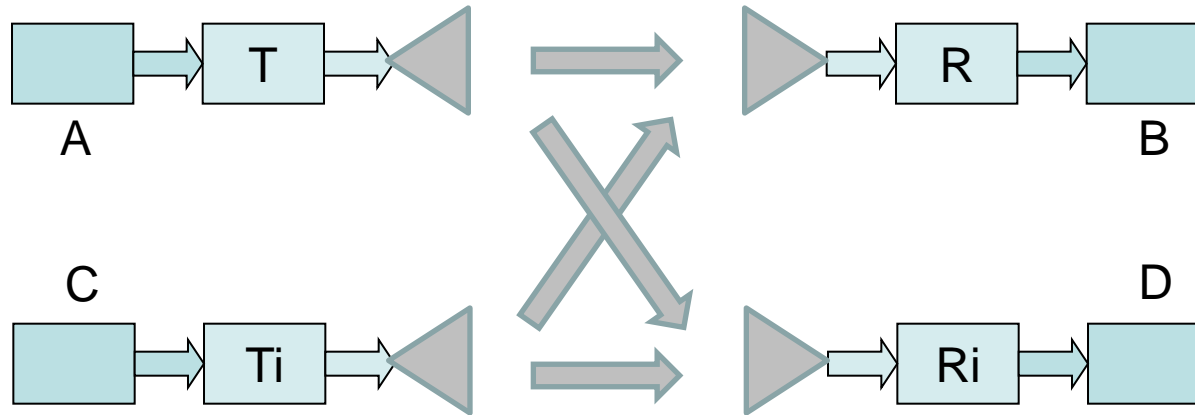


Fundamentals of Wireless Networking

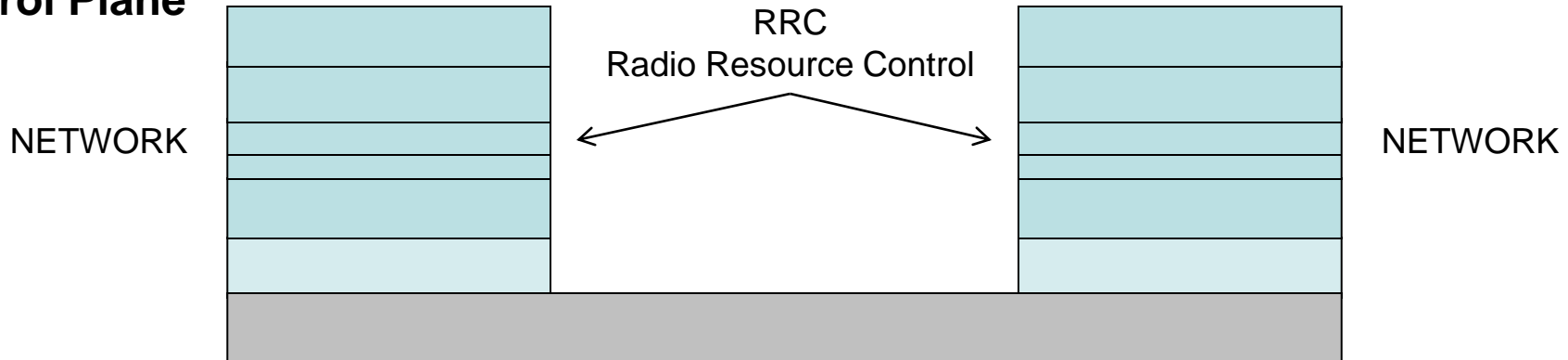
Networks



Mutual Interactions



Control Plane



Fundamentals of Wireless Networking

Networks



Topologies & Architectures

Fundamentals of Wireless Networking

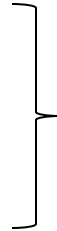
Networks

→ **Topologies & Architectures**

Mobile Radio Access

Broadband Radio Access

Local Radio Access



Area Coverage → Cellular Networks

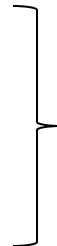
Mobile Ad Hoc

Device Centric → Peer-to-Peer Networks

Personal

Sensor

Body



Data Centric → Coordinator Based Networks

Fundamentals of Wireless Networking

Networks



Topologies & Architectures

Mobile Radio Access

Broadband Radio Access

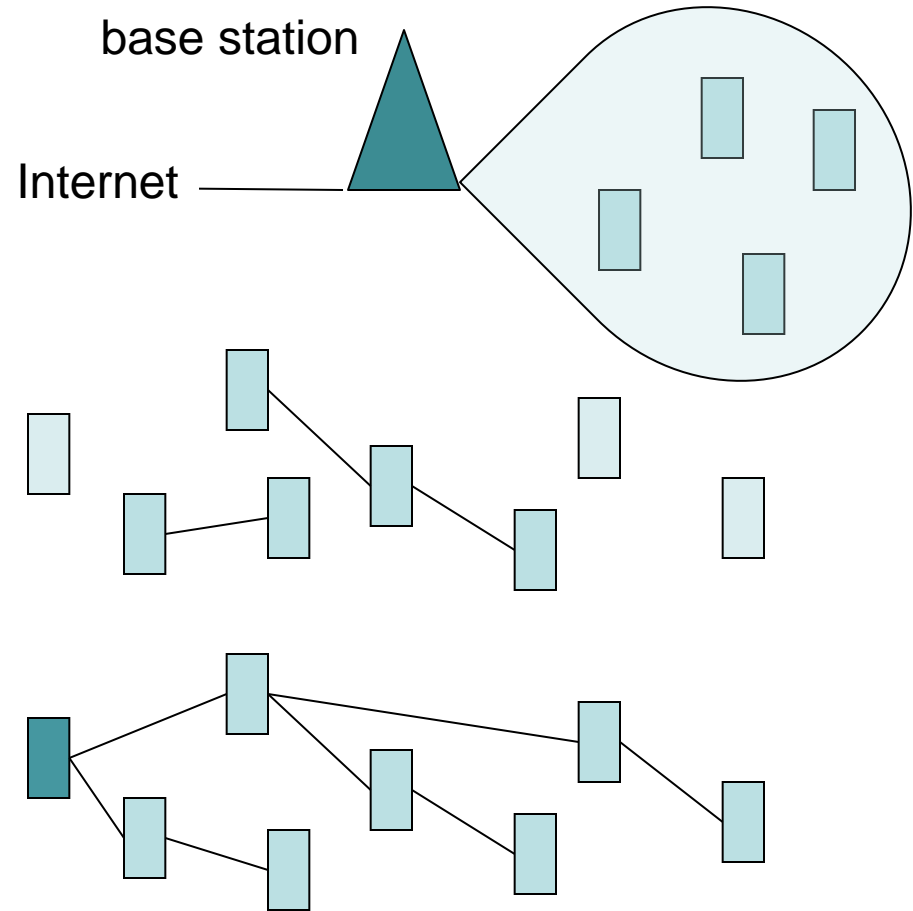
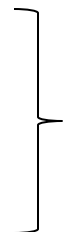
Local Radio Access

Mobile Ad Hoc

Personal

Sensor

Body

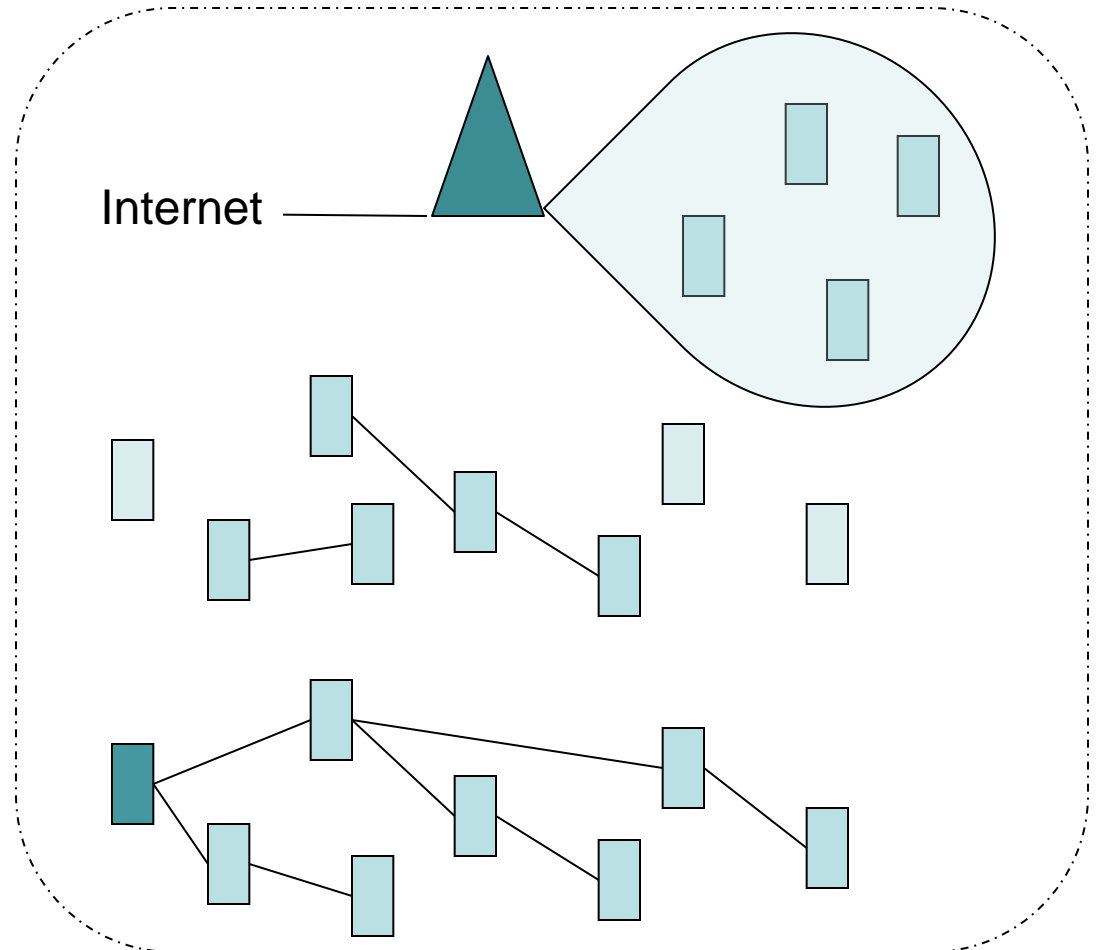


Fundamentals of Wireless Networking

Networks



Topologies & Architectures



**Efficient
Network Architectures
are required**

Fundamentals of Wireless Networking

Networks



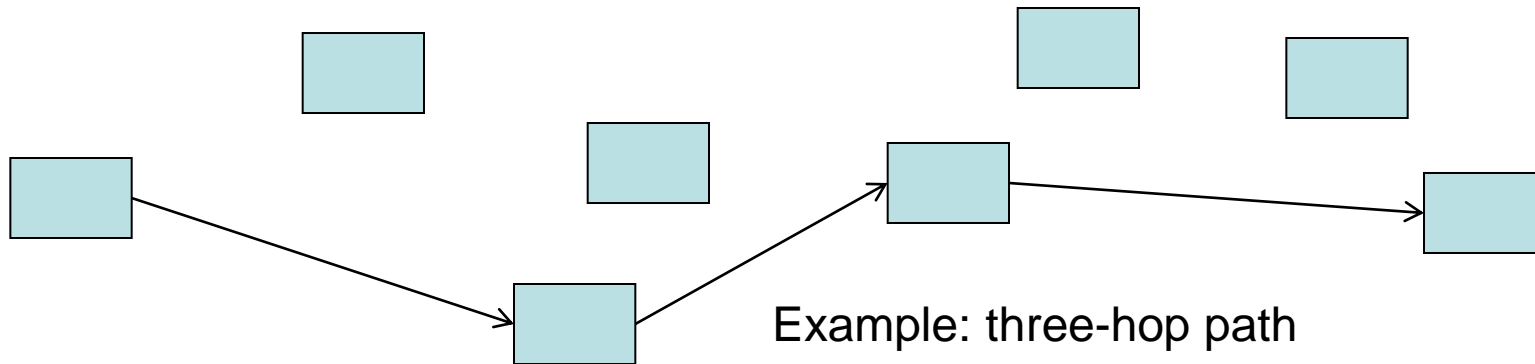
Network Performance

Fundamentals of Wireless Networking

Networks



Network Performance



Path Capacity:

maximum amount of bit rate that can be transmitted over the path with Bit Error Rate zero.

$$C_p = \min [C_i]$$

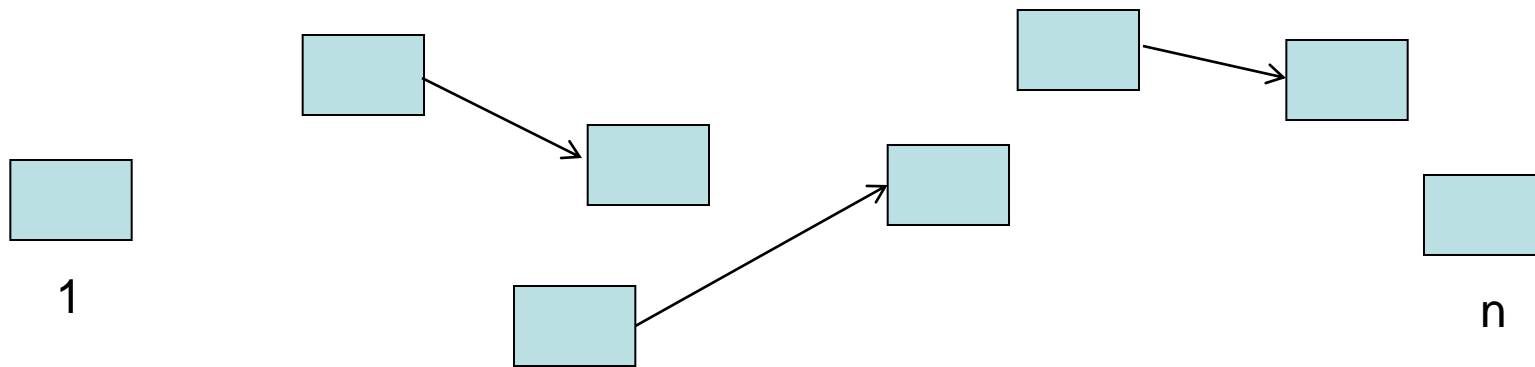
C_i = capacity of the i-th hop of the path

Fundamentals of Wireless Networking

Networks



Network Performance



Network Capacity:

maximum amount of *bit-meters per second* [bm/s] that can be transmitted in a random network (square with n randomly uniformly distributed nodes).

C_n is prop to $B_c * \sqrt{n}$

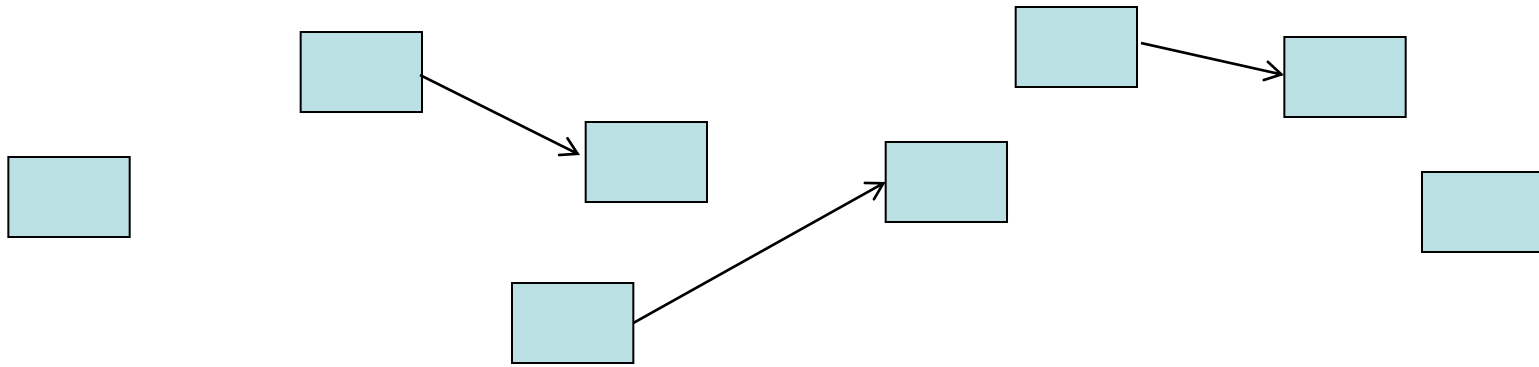
[Gupta, Kumar, 2000]

Fundamentals of Wireless Networking

Networks



Network Performance



C_n is prop to $B_c * \text{sqrt}(n)$

More Connected Devices →

**Higher Overall Throughput
Lower User Throughputs**

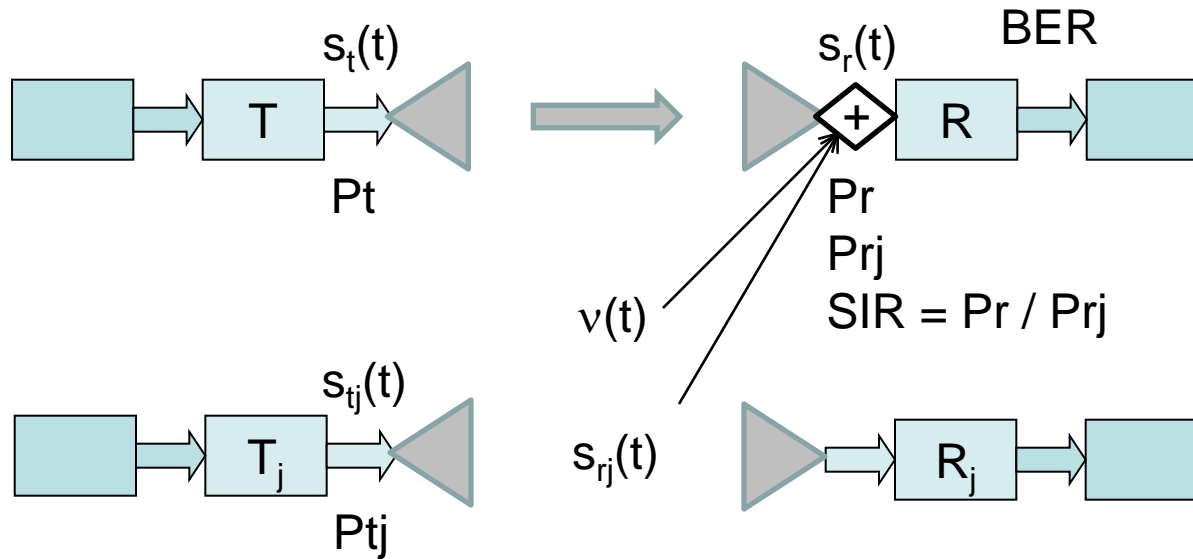
$C_p = \min [C_i]$

Shorter Links →

Higher Overall Throughput

2. Communication Link with Interference: System Model

Communication Link with Interference: System Model



$s_{tj}(t)$ with respect to $s_t(t)$

has different

symbols

carrier phase

symbol synchronisation

and possibly

transmit power

MCS

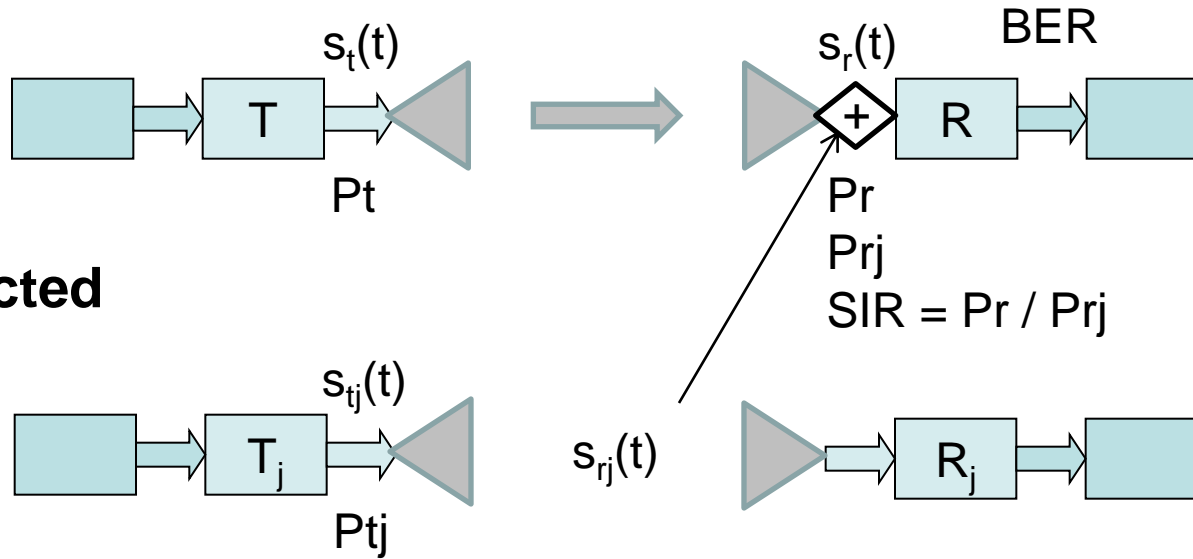
carrier frequency

bandwidth

$s_{rj}(t)$ is a random process from the pov of R

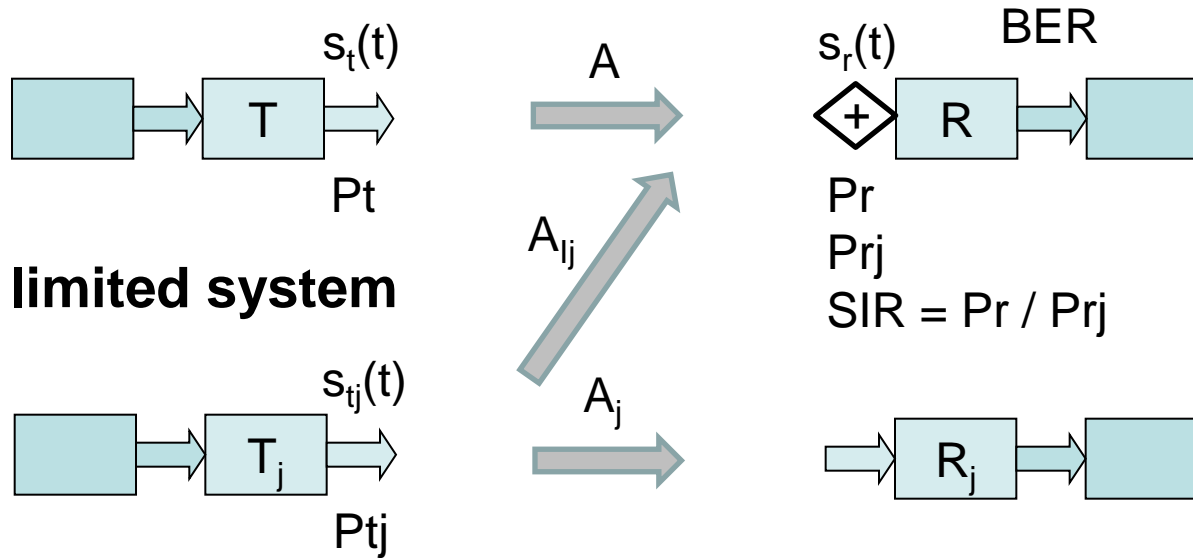
Communication Link with Interference: System Model

Noise neglected

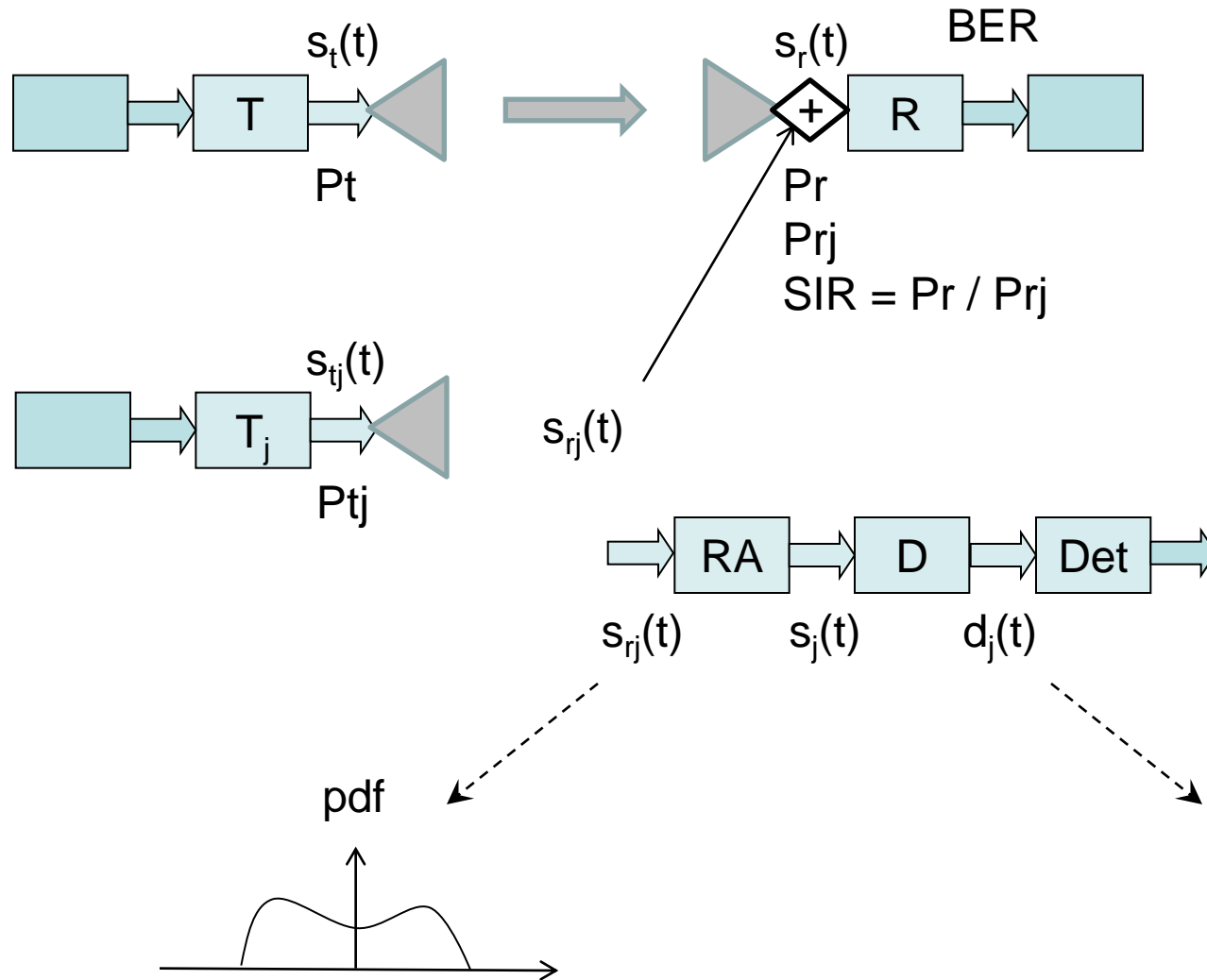


Communication Link with Interference: System Model

Interference limited system

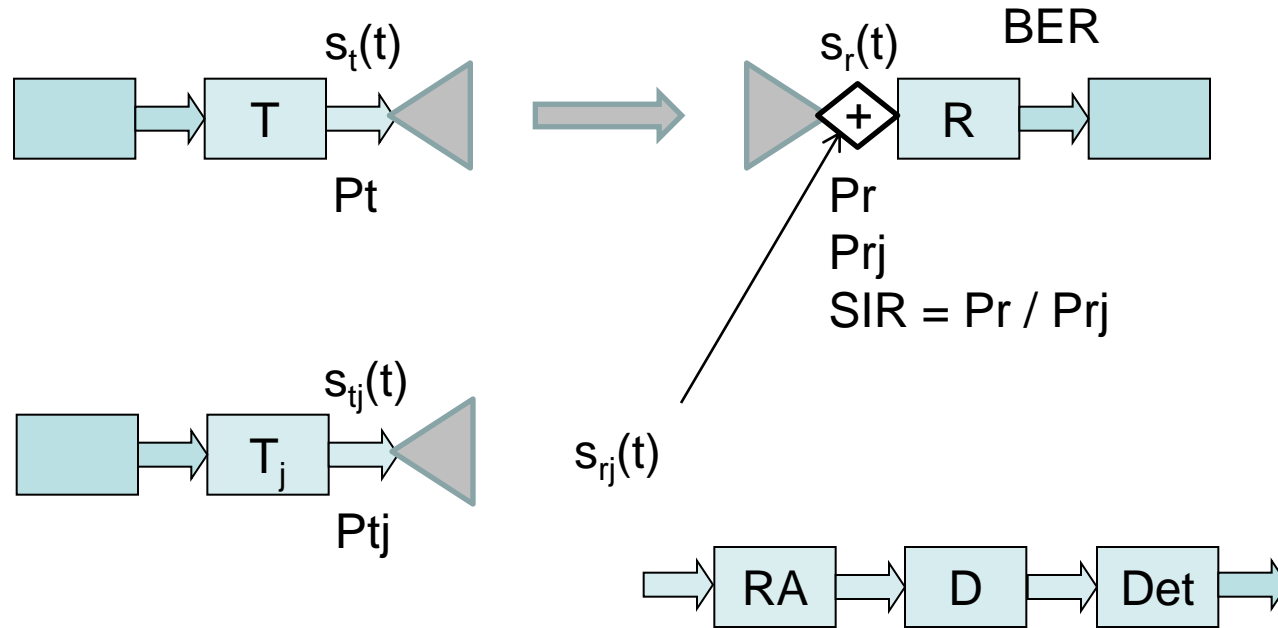


Communication Link with Interference: System Model

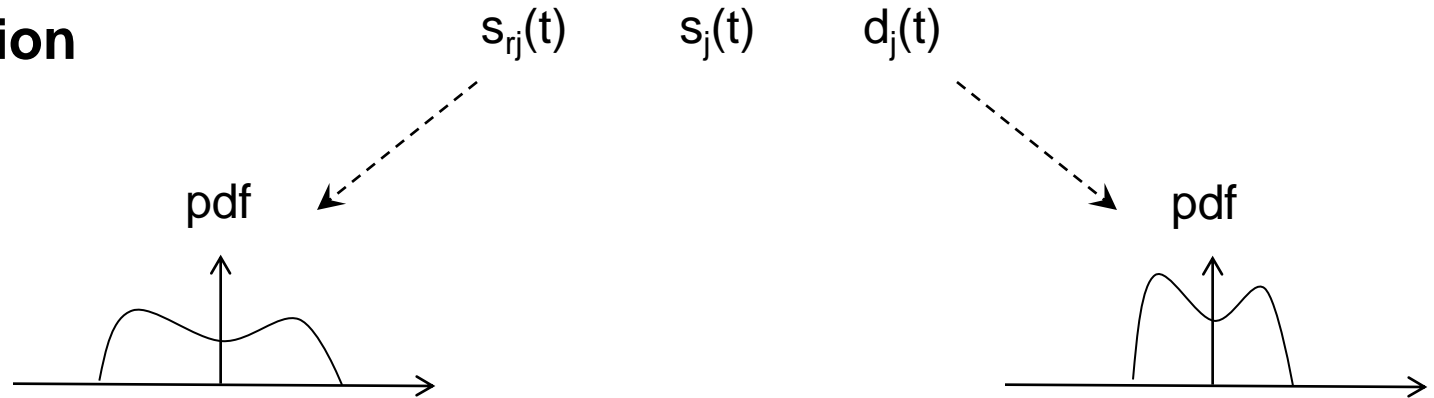


3. Linear and Non Linear Demodulation

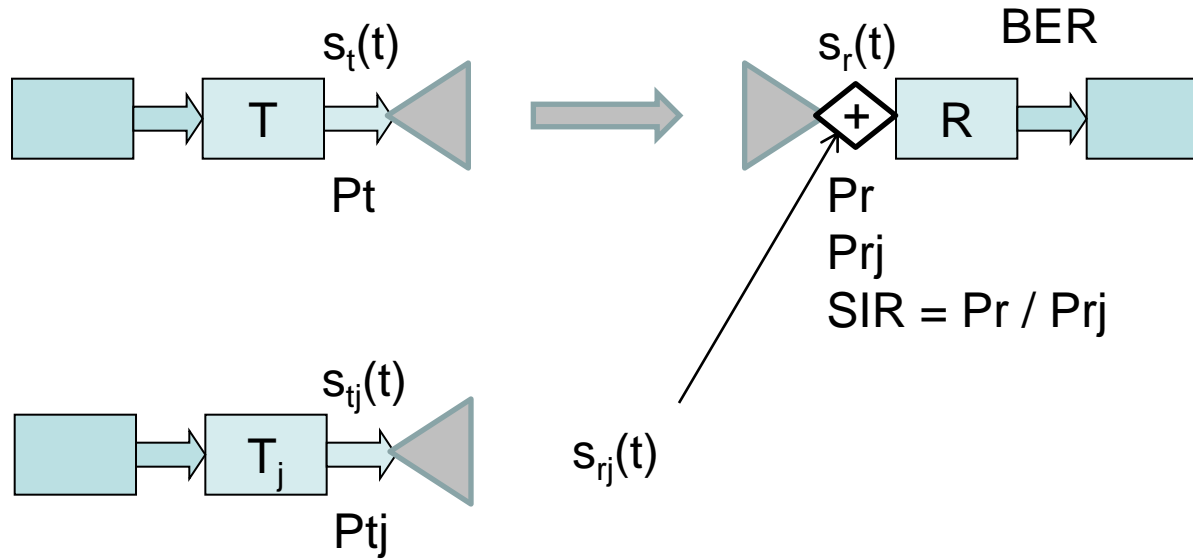
Communication Link with Interference: System Model



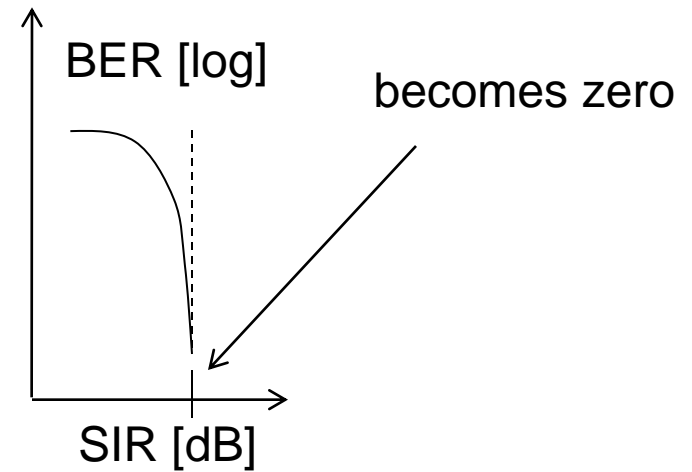
Linear Demodulation



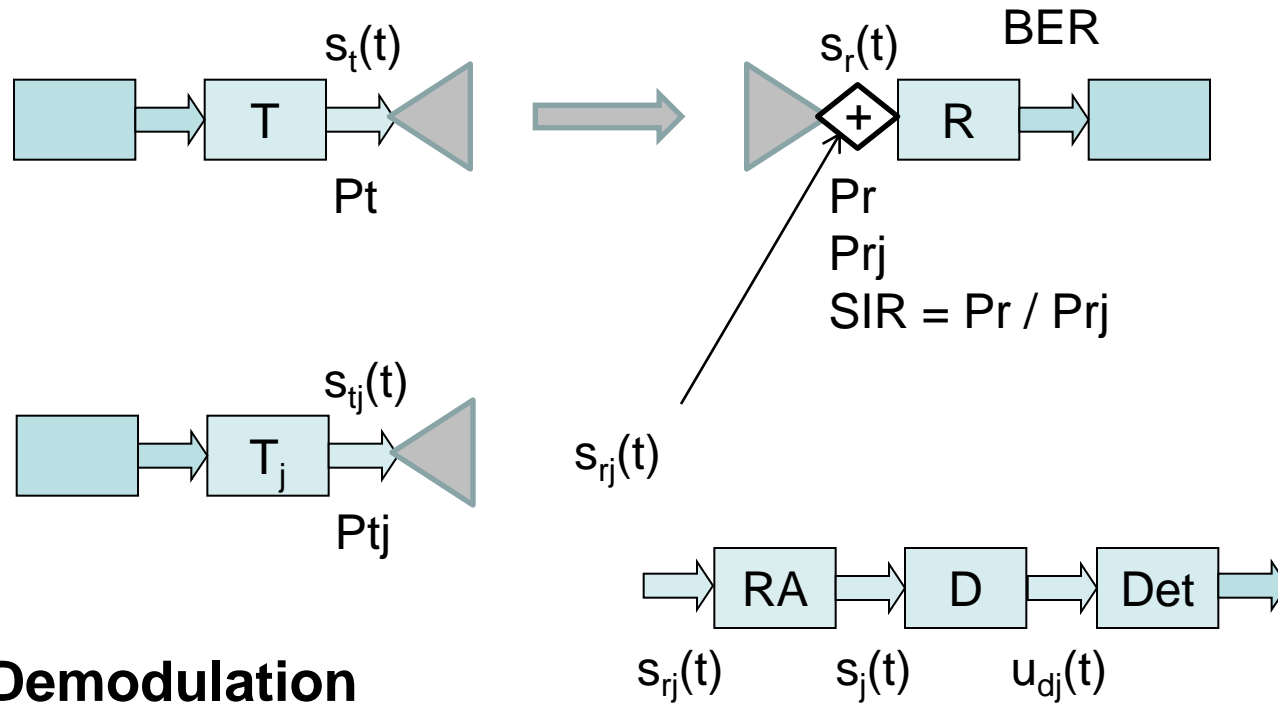
Communication Link with Interference: System Model



Linear Demodulation



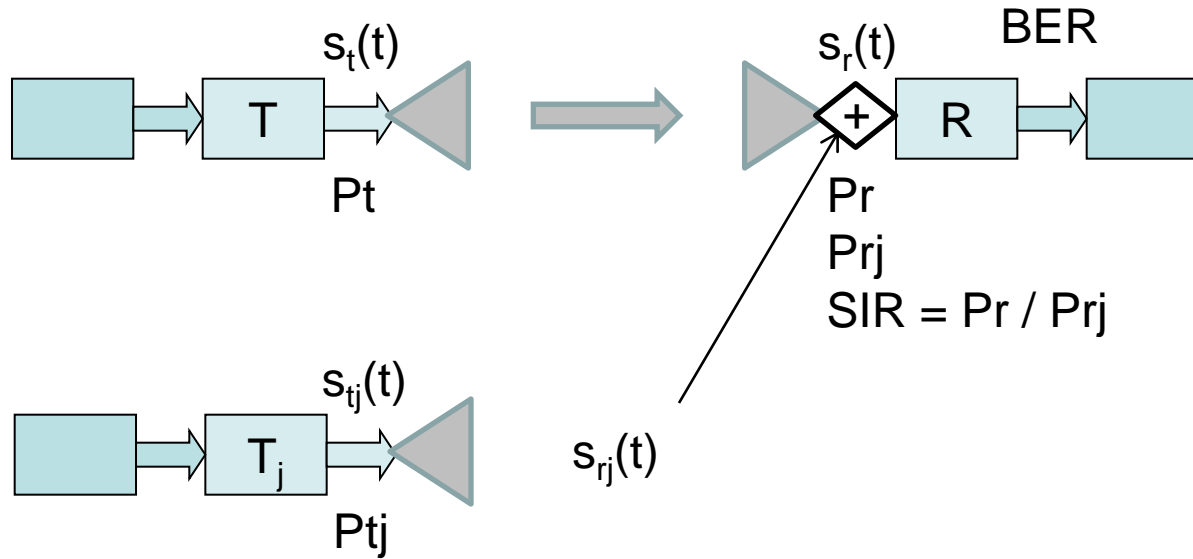
Communication Link with Interference: System Model



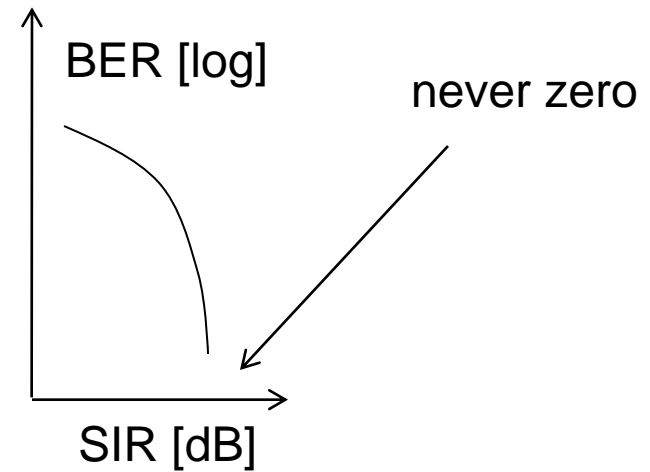
Non Linear Demodulation



Communication Link with Interference: System Model

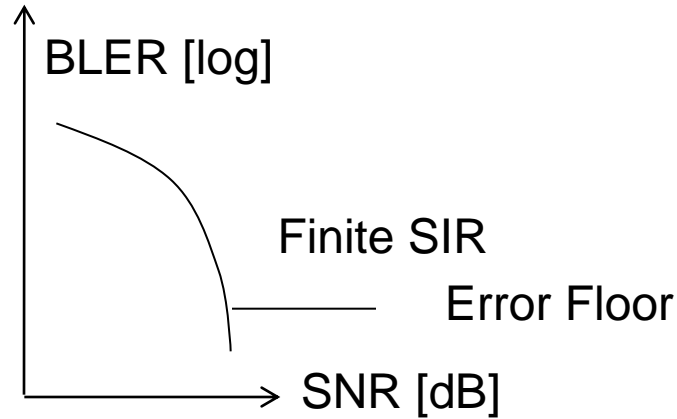
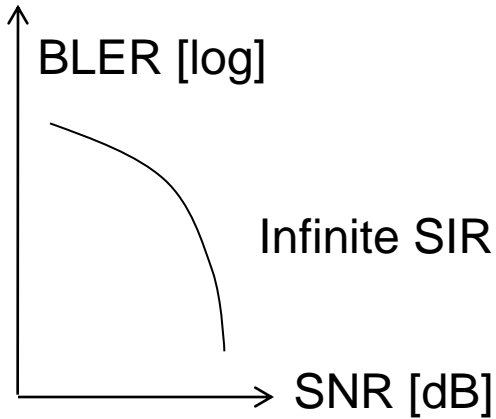


Non Linear Demodulation



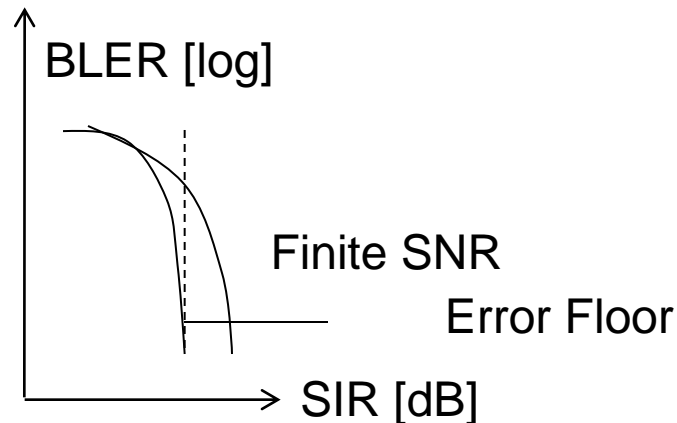
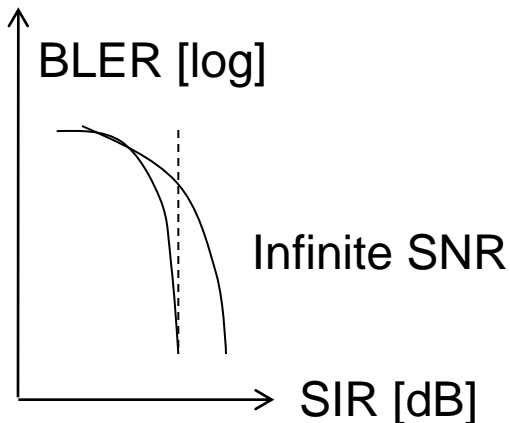
Communication Link with Interference: System Model

Noise limited system



$$C = Bc \log_2 [1 + \text{SNR}]$$

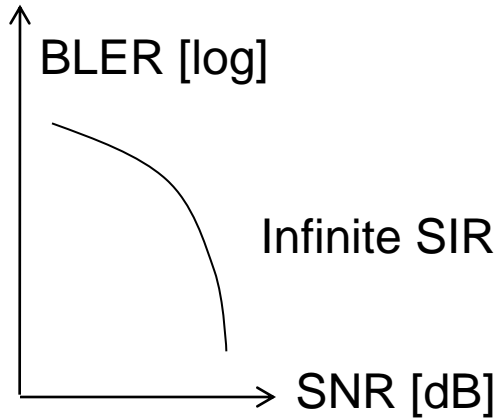
Interference limited system



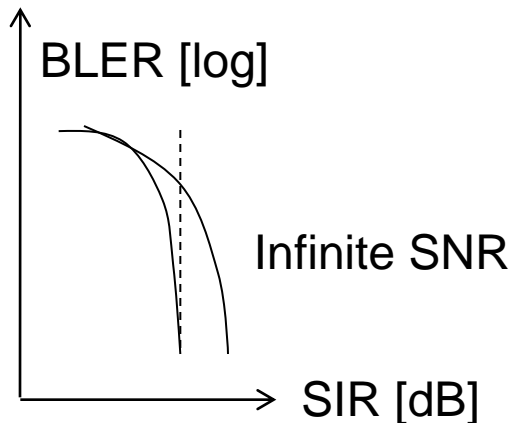
$$C \approx Bc \log_2 [1 + \text{SIR}]$$

Communication Link with Interference: System Model

Noise limited system



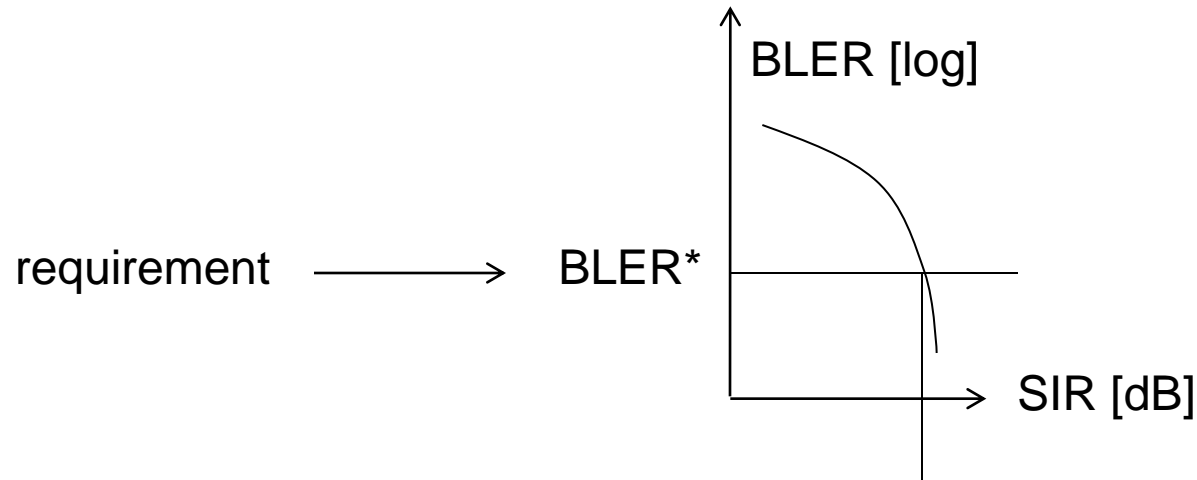
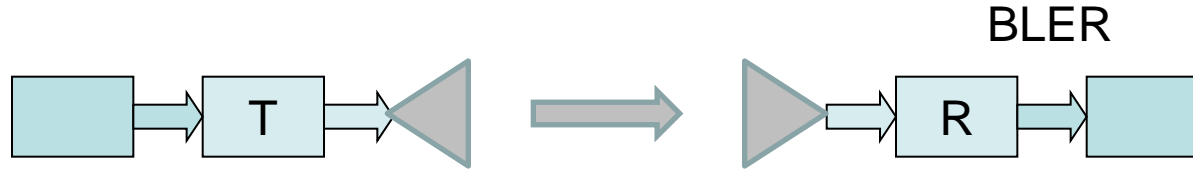
Interference limited system



... $SINR = P_r / (P_n + P_{rI})$???

Interference is not Gaussian!

Communication Link with Interference: System Model



$$Pr / Pr|_{min}$$

denoted as **protection ratio** α

4. Interference Based Power Control

Interference Based Power Control

The transmit power P_t is set by the transmitter to a value in the range $[P_{tmin}, P_{tmax}]$ adapted to the level of SIR. The larger is SIR, the lower is the next value of transmitted power P_t . PC is effective for flat interference channels, provided the SIR can be measured/estimated.

Scope of PC (same as for Signal Based PC):

- reduction of energy consumed at transmitter
- reduction of e.m. radiation and impact on environment / humans
- reduction of interference towards other systems

The control loop of PC includes:

- 1) measurement or estimation of SIR
 - 2) decision on the next value of P_t
 - 3) setting of the level of P_t
-

Interference Based Power Control

Open loop PC: impossible.

Closed loop PC: estimation of SIR happens on the receiver side, through measurements, and PC commands are sent to the transmitter. Loop delay depends on the transmission rate of PC commands.

Fast PC: changes in the level of P_t are made at a rate in the order of 10-1000 Hz.

Slow PC: changes in the level of P_t are made at a rate in the order of 0.1-1 Hz.

Interference Based Power Control

How to measure/estimate SIR?

The SIR can not be measured directly, as the received useful signal is summed to the interference. What can be measured at RF is $P_r + P_{rI}$.

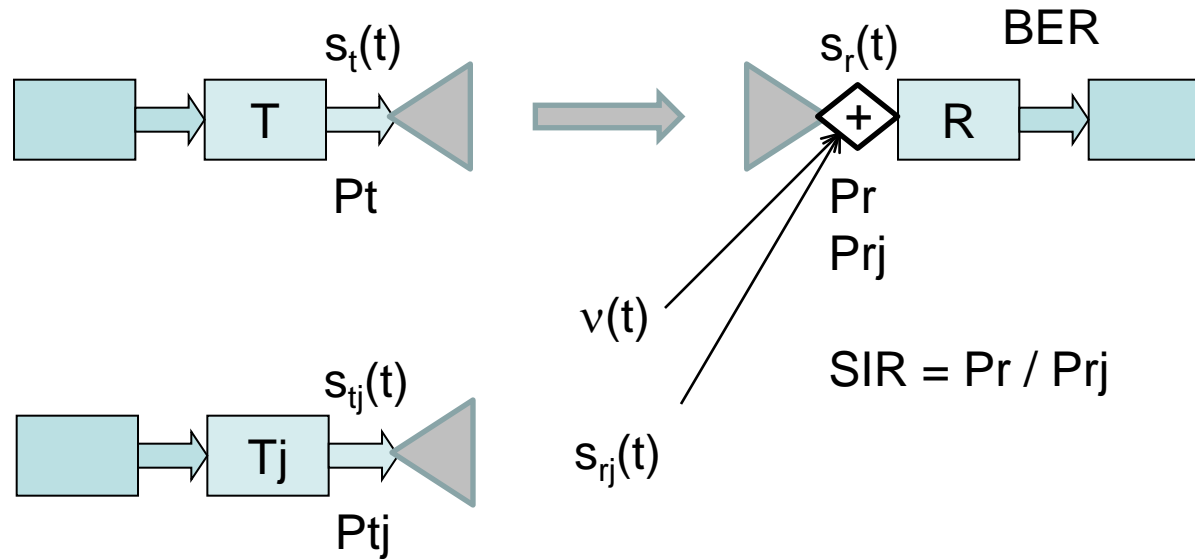
If the receiver chain includes some technique to cancel interference, after its cancelation P_r can be assessed.

Through subtraction, P_{rI} and therefore SIR can be deduced.

Systems using DSSS modulation can use Interference Based Power Control.

5. Link Performance: M-QASK with Interf.

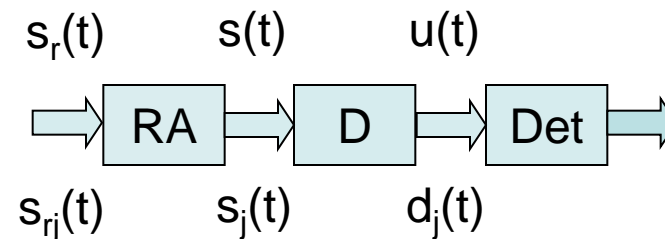
Link Performance of M-QASK with Interference



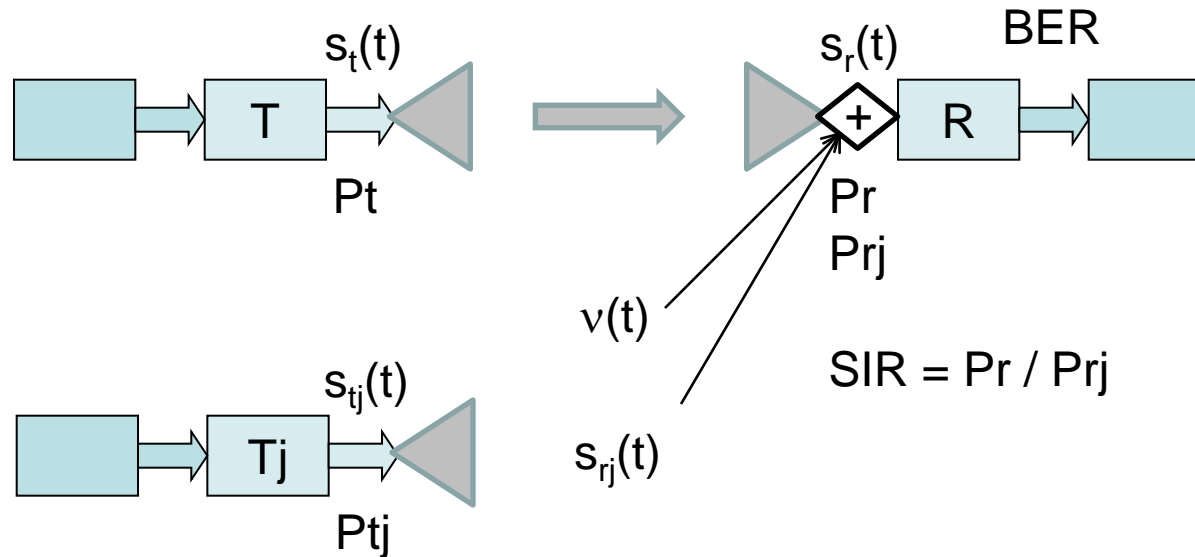
$$s_{mj}(t) = V_j * v_{pj}(t - \tau_j) * \cos(2\pi f_c(t - \tau_j) - \phi_j) - V_j * v_{qj}(t - \tau_j) * \sin(2\pi f_c(t - \tau_j) - \phi_j)$$

$$v_{pj}(t) = \sum a_{pnj} g(t - nT) \quad v_{qj}(t) = \sum a_{qnj} g(t - nT)$$

Demodulation is linear



Link Performance of M-QASK with Interference

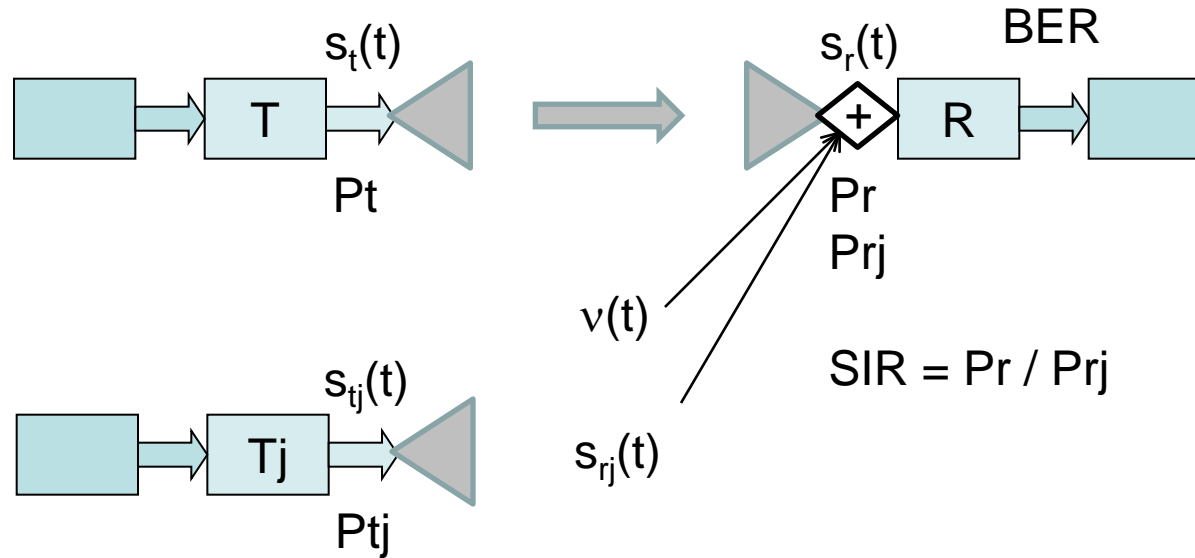


Assumptions: perfect frequency synchronisation (coherent detection)
 perfect time synchronisation
 no inter-symbol interference
 symbol-by-symbol threshold based detection
 Gray encoding

Math. derivation

→ BER = BER (SNR, SIR) **under Gaussian assumption**

Link Performance of M-QASK with Interference



P_r and SIR depend on channel gain through the PC technique:

IB-PC:	$SIR = SIR_0$	constant
FC-PC:	$SIR = P_{r0} / P_{r0} A_j / A_{ij}$	variable
No PC:	$SIR = P_t / P_{tj} A / A_{ij}$	variable

The expression of BER does not depend on PC. The SIR does.

Exercise DTI#1

A radio system uses QPSK over an AWGN channel with ARQ. The system uses raised cosine filtering with roll-off factor 0.35. Data blocks have size 1 Kbytes. The bit rate is 54 Mbit/s. The channel bandwidth is 22 MHz, centred at carrier frequency 2.45 GHz. The (monolateral) noise density power is 10^{-20} W/Hz. Determine the protection ratio [dB] defined as the minimum SIR ensuring BLER=0.01 in interference limited conditions, under Gaussian assumption. Is it larger or smaller than the required SNR in noise limited conditions?

Compute the protection ratio for 16-QASK and 64-QASK under same conditions, and compare it with the required SNR in noise limited conditions.

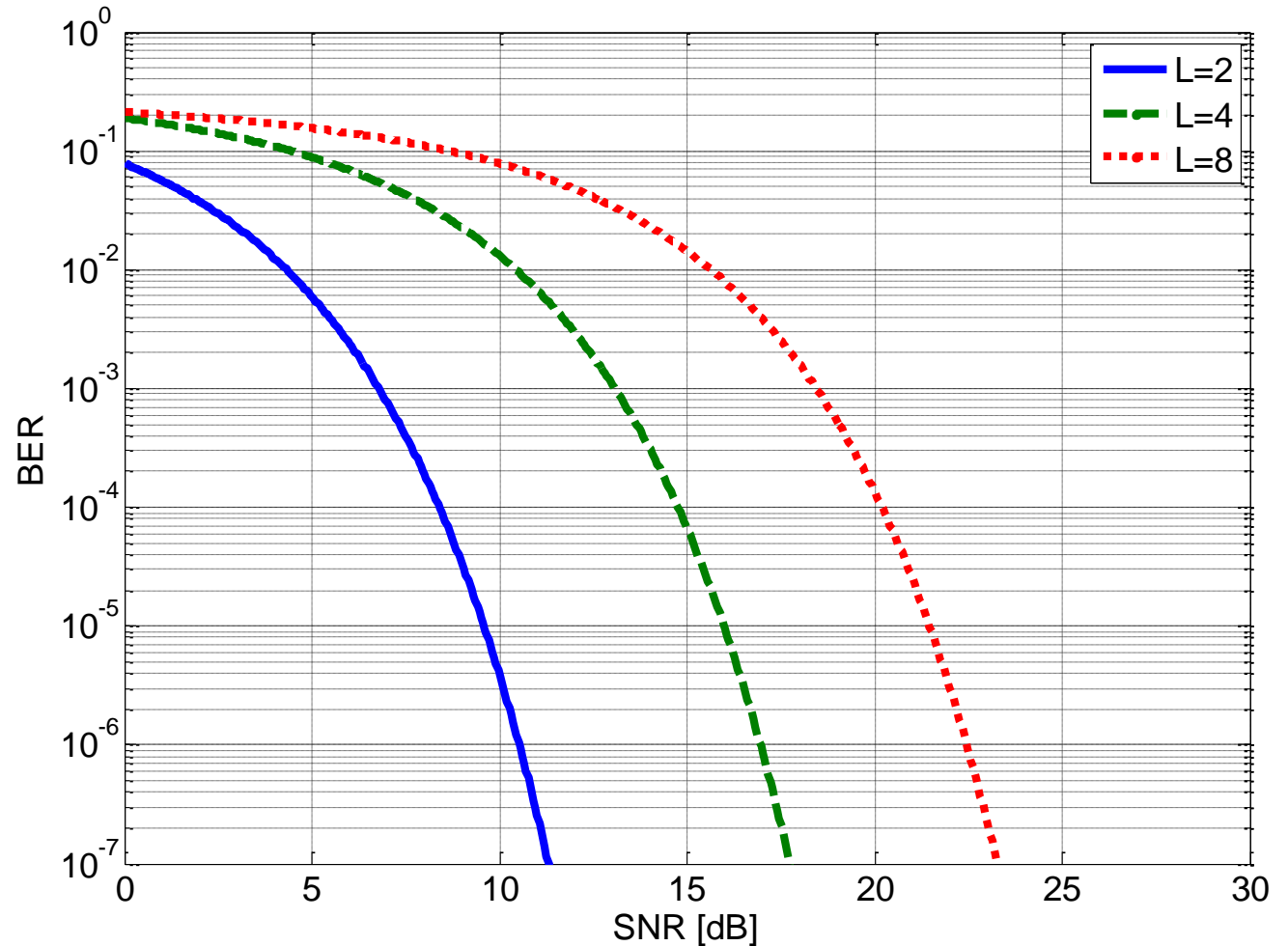
Exercise DTI#2

A radio system uses QPSK over an AWGN channel with ARQ. The system uses raised cosine filtering with roll-off factor 0.35. Data blocks have size 1 Kbytes. The bit rate is 54 Mbit/s. The channel bandwidth is 22 MHz, centred at carrier frequency 2.45 GHz. The (monolateral) noise density power is 10^{-20} W/Hz. Determine the protection ratio [dB] defined as the minimum SIR ensuring BLER=0.01 in interference limited conditions, under Gaussian assumption.

Determine the minimum SIR ensuring BLER=0.01 with values of SNR equal to 12 dB, 11 dB, 10 dB.

Link Performance of M-QASK with Interference

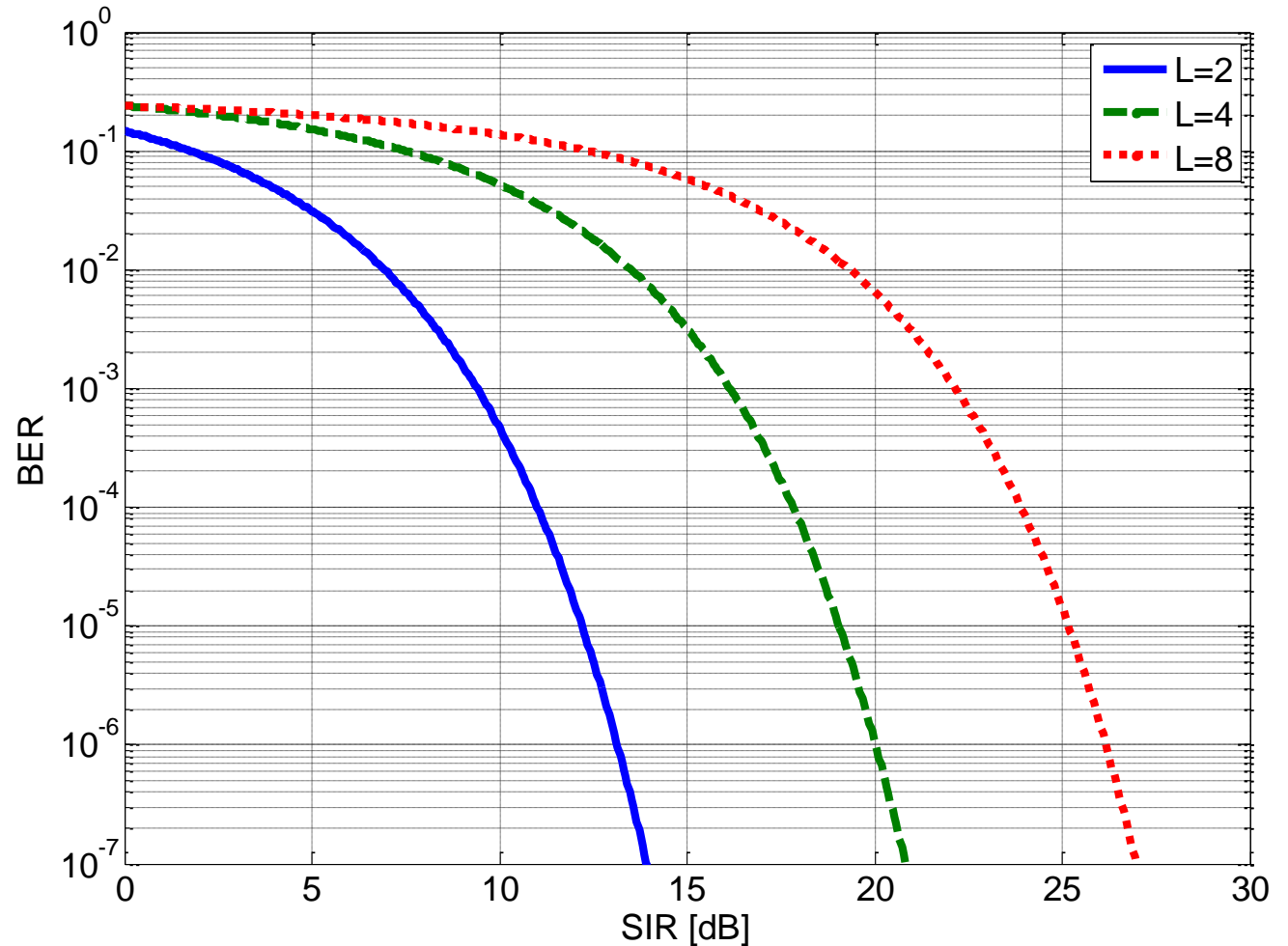
Mathematical Derivation



Link Performance of M-QASK with Interference

Mathematical Derivation

$$\alpha = 0.35$$

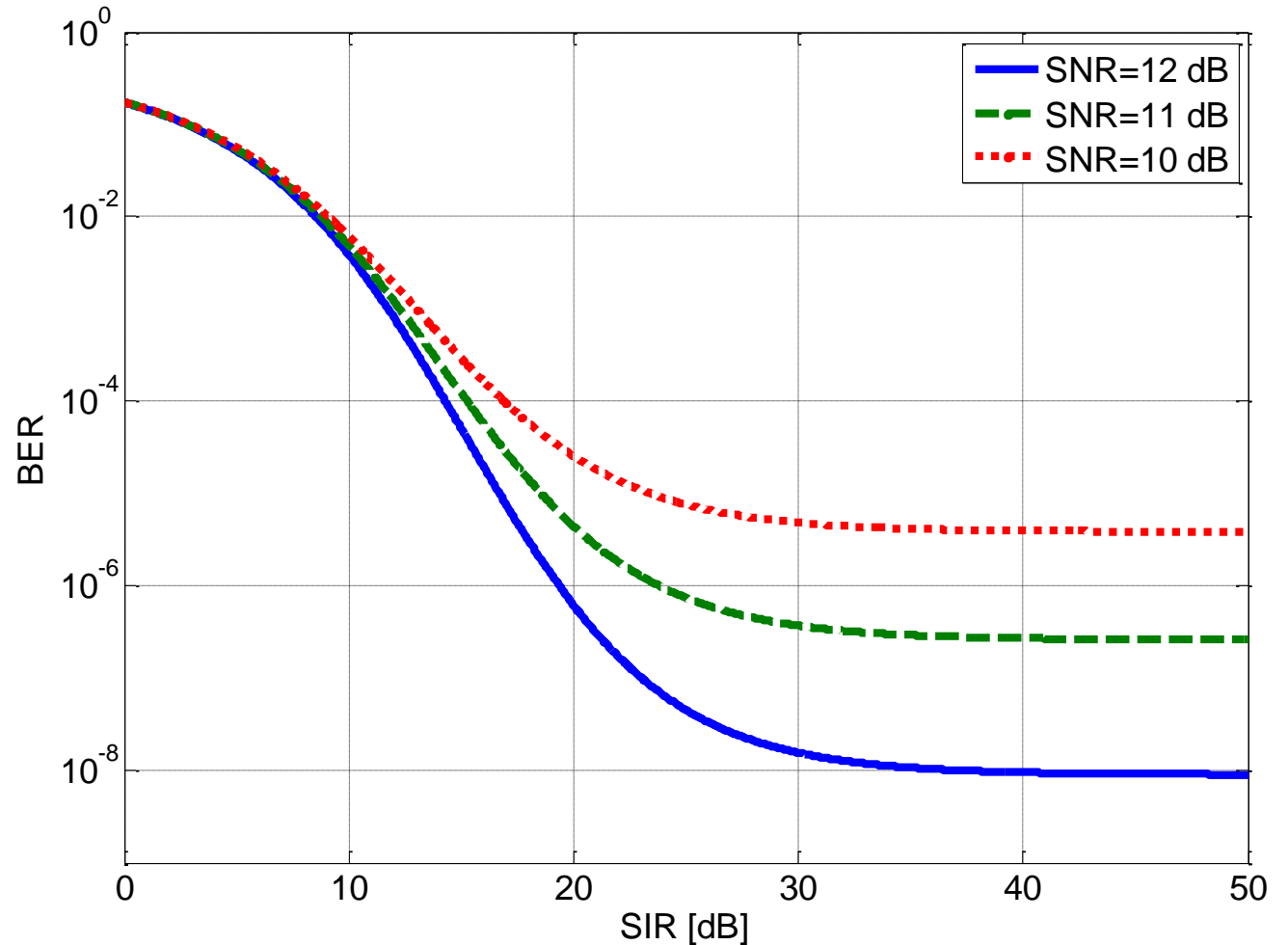


Link Performance of M-QASK with Interference

Mathematical Derivation

$\alpha = 0.35$

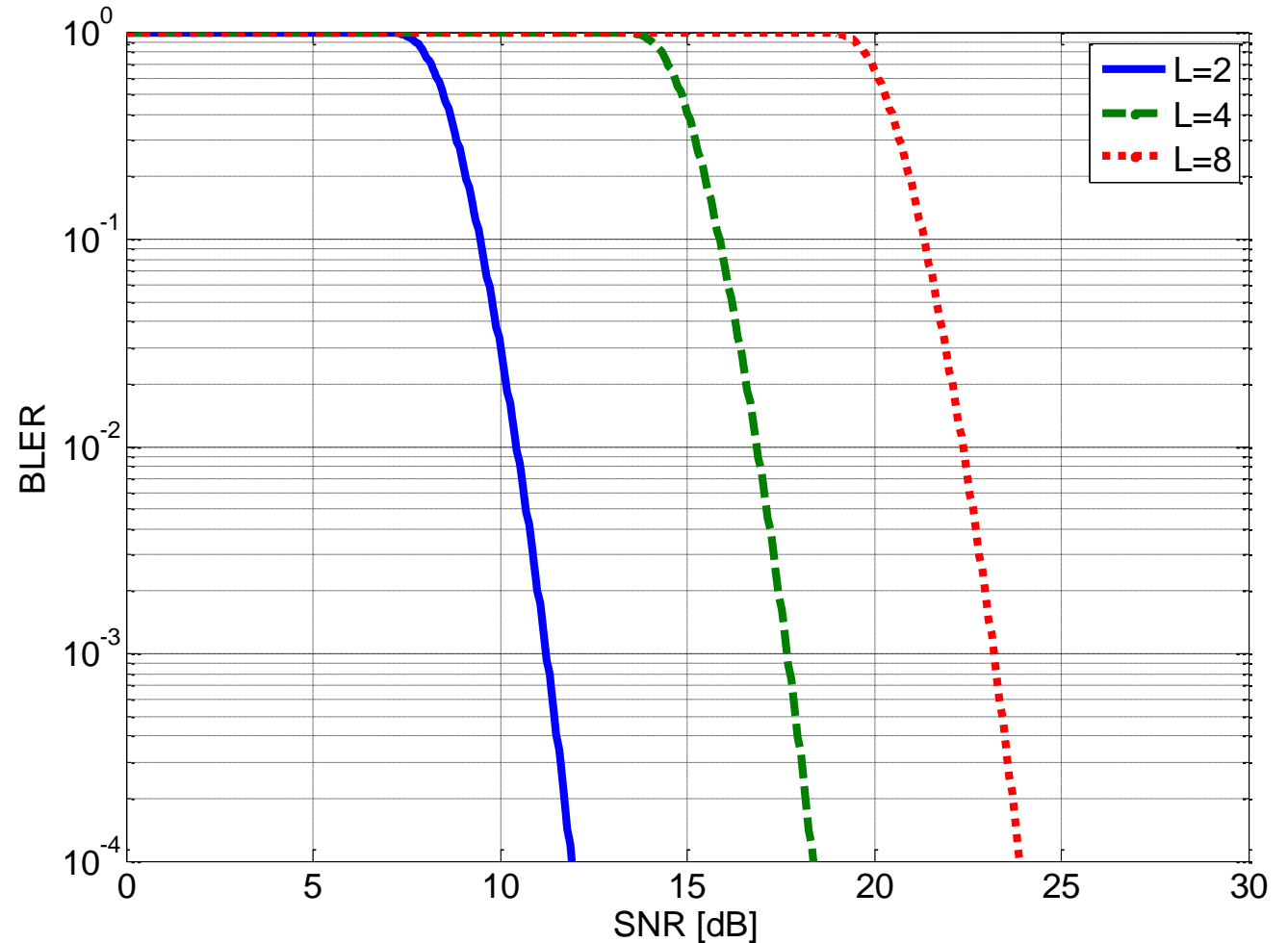
$L = 2$



Link Performance of M-QASK with Interference

Mathematical Derivation

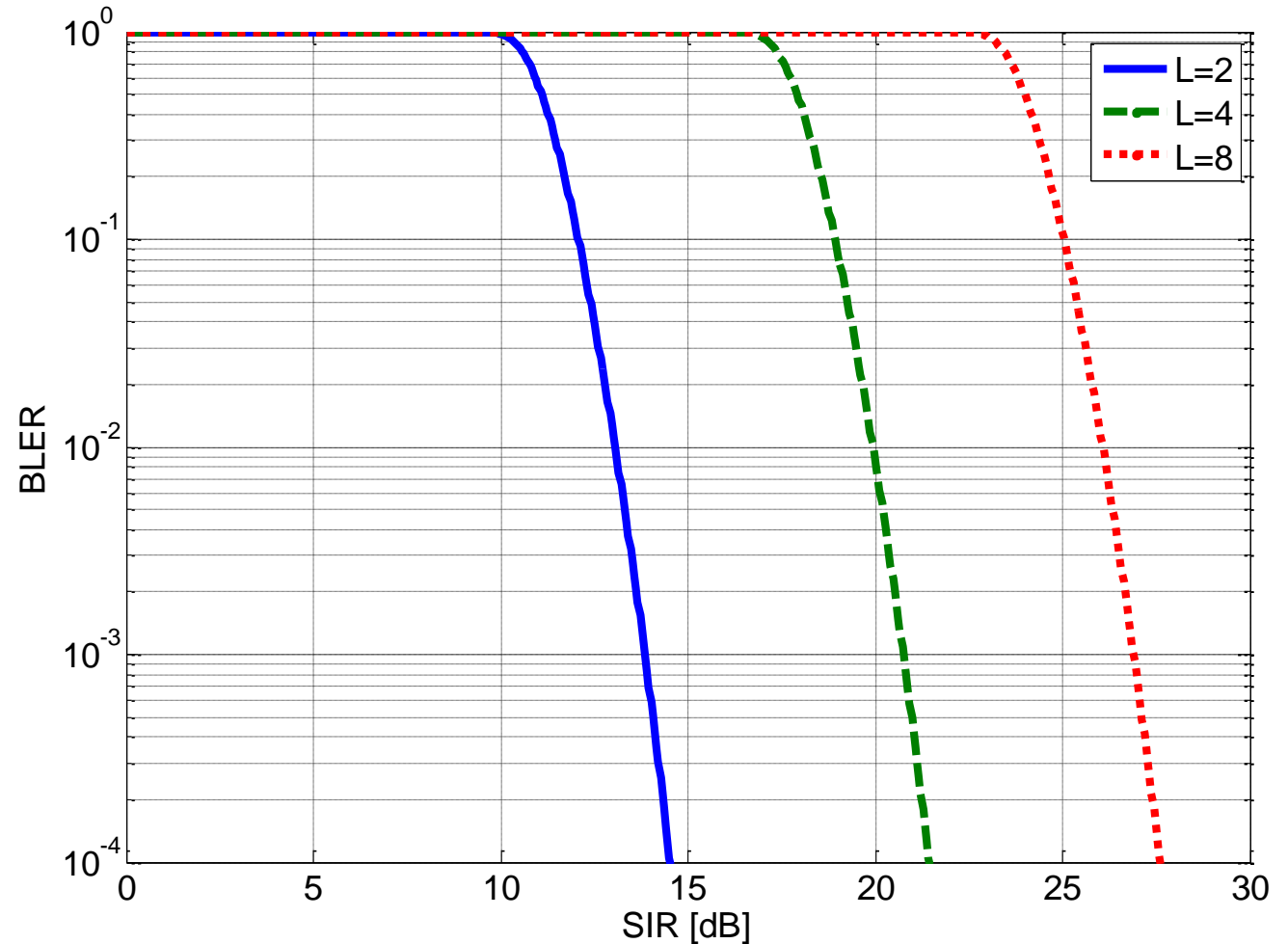
ARQ, 10KB



Link Performance of M-QASK with Interference

Mathematical Derivation

ARQ, 10KB, $\alpha = 0.35$

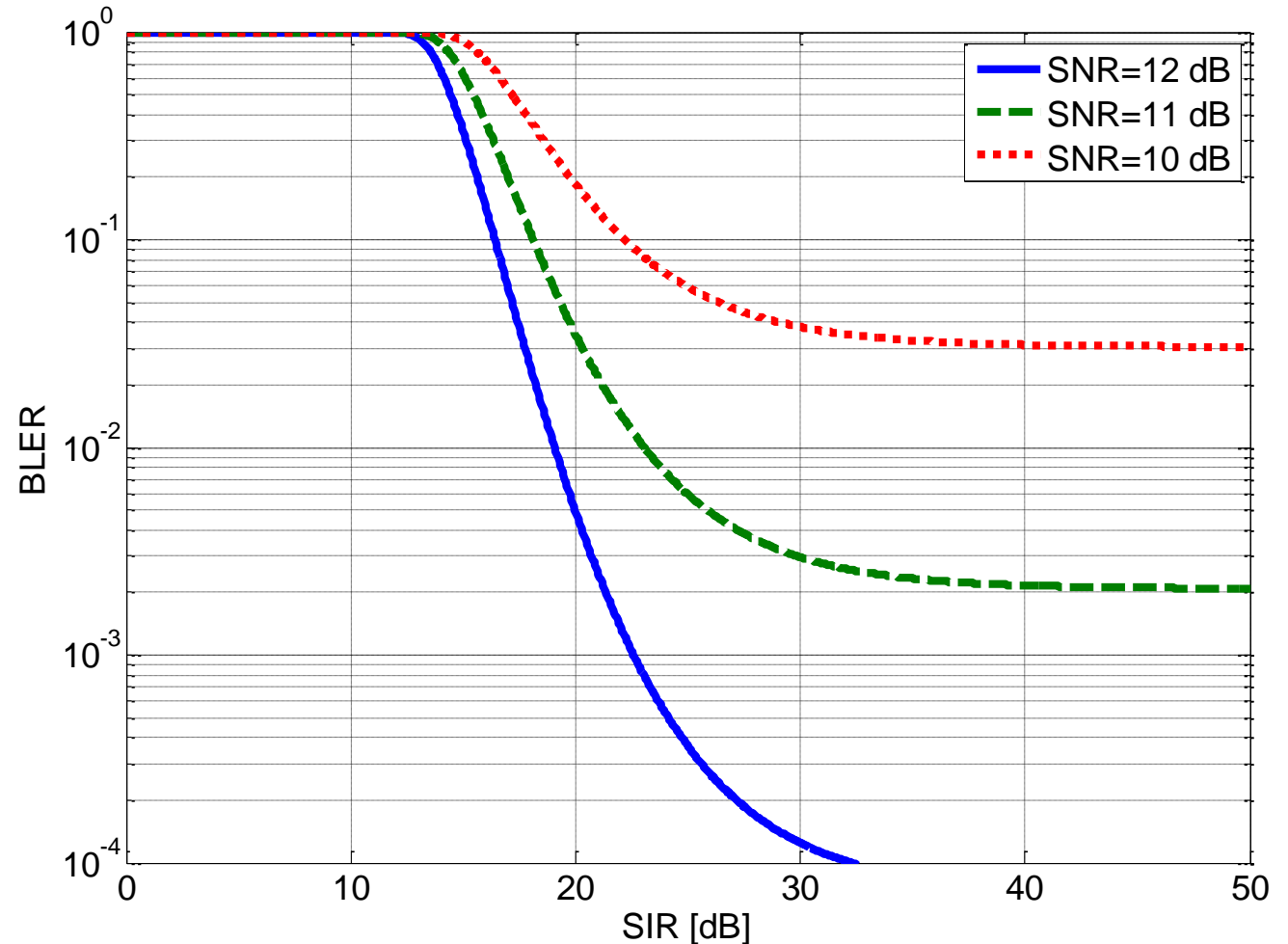


Link Performance of M-QASK with Interference

Mathematical Derivation

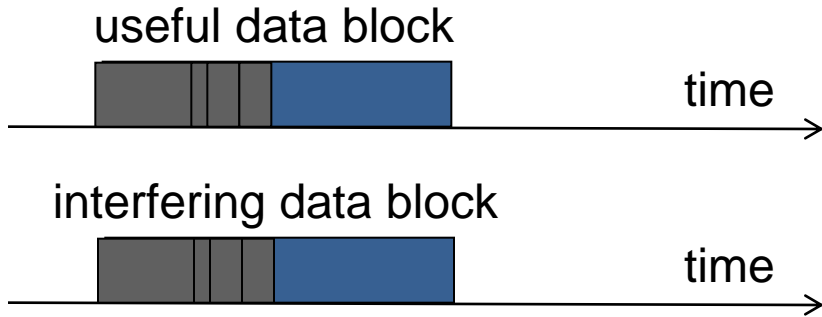
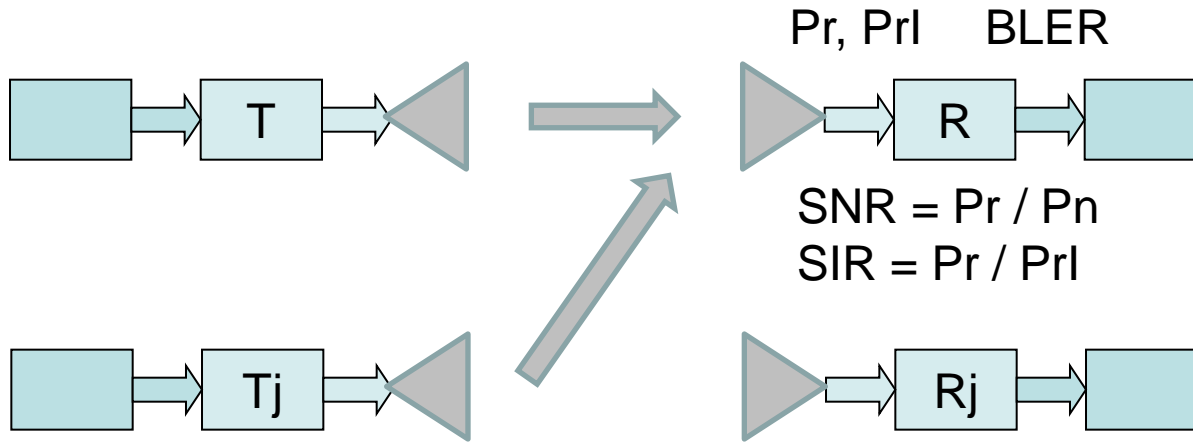
ARQ, 10KB, $\alpha = 0.35$

$L = 2$

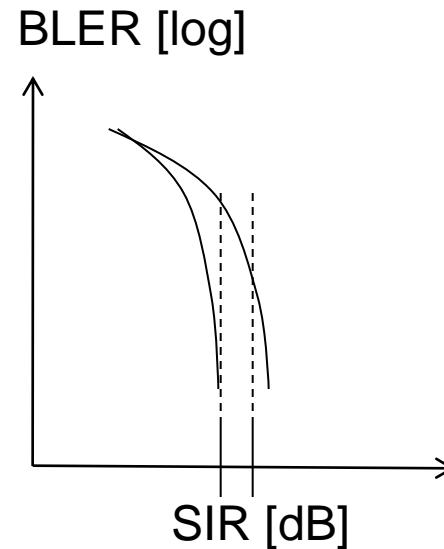


6. Capture Effect

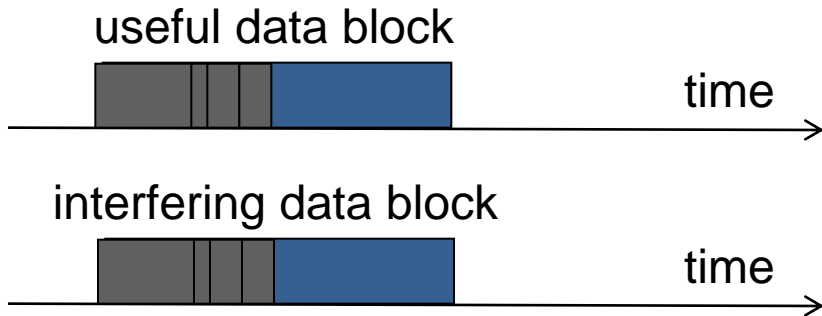
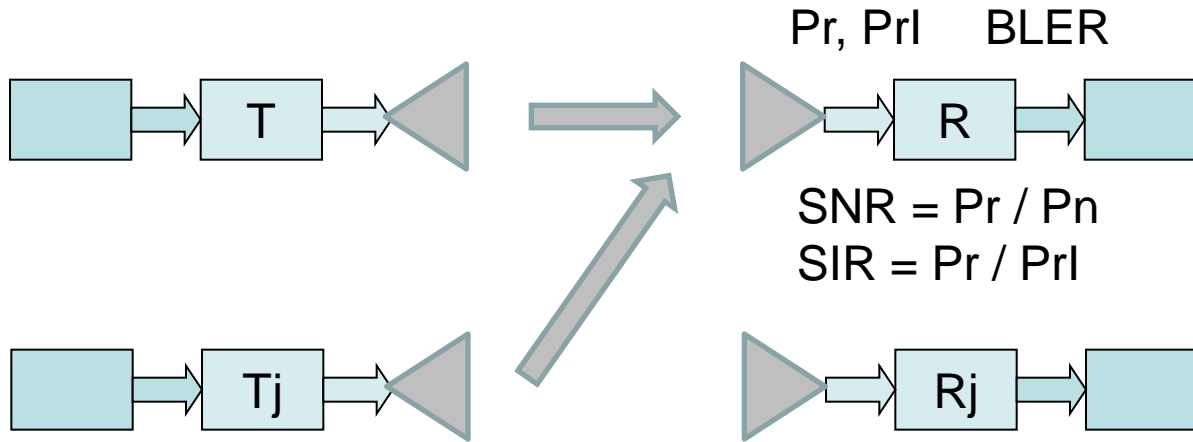
Capture Effect



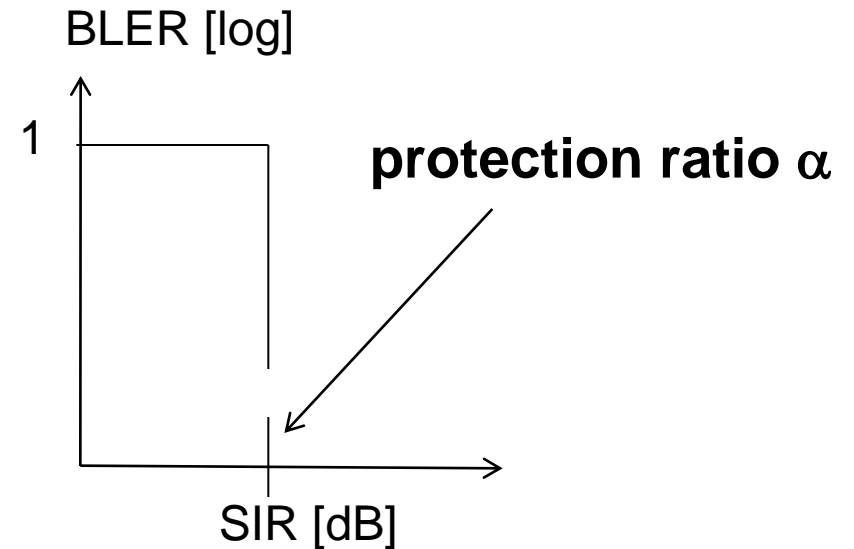
Data blocks transmitted simultaneously on the same frequencies



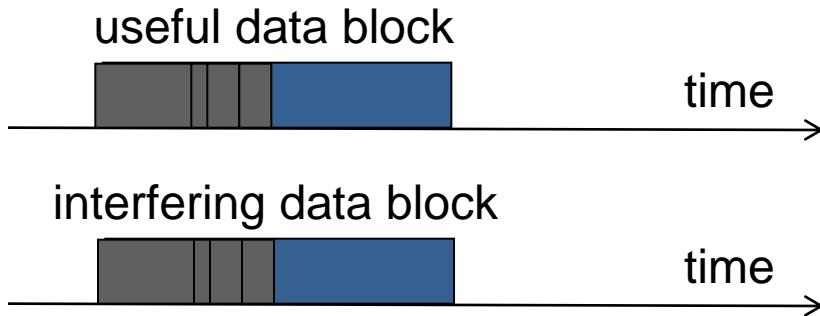
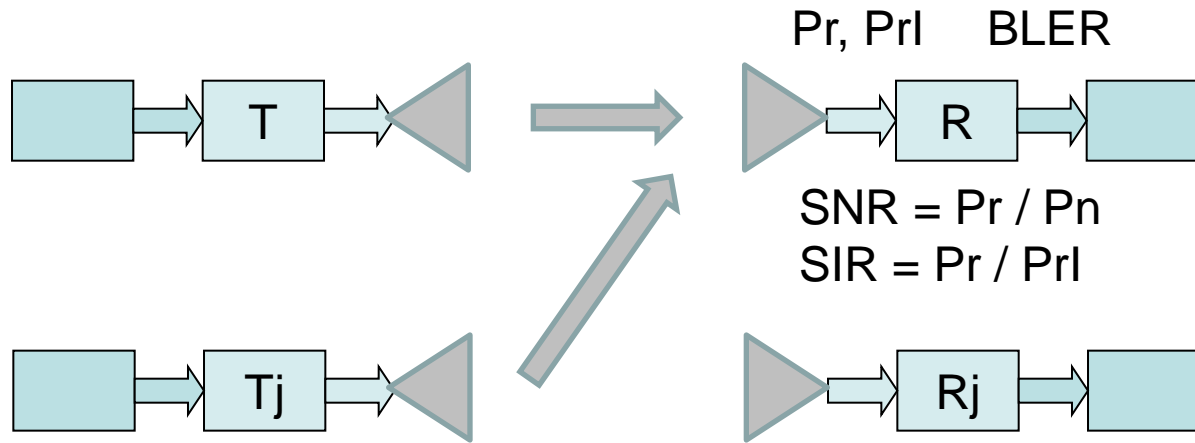
Capture Effect



Data blocks transmitted simultaneously on the same frequencies

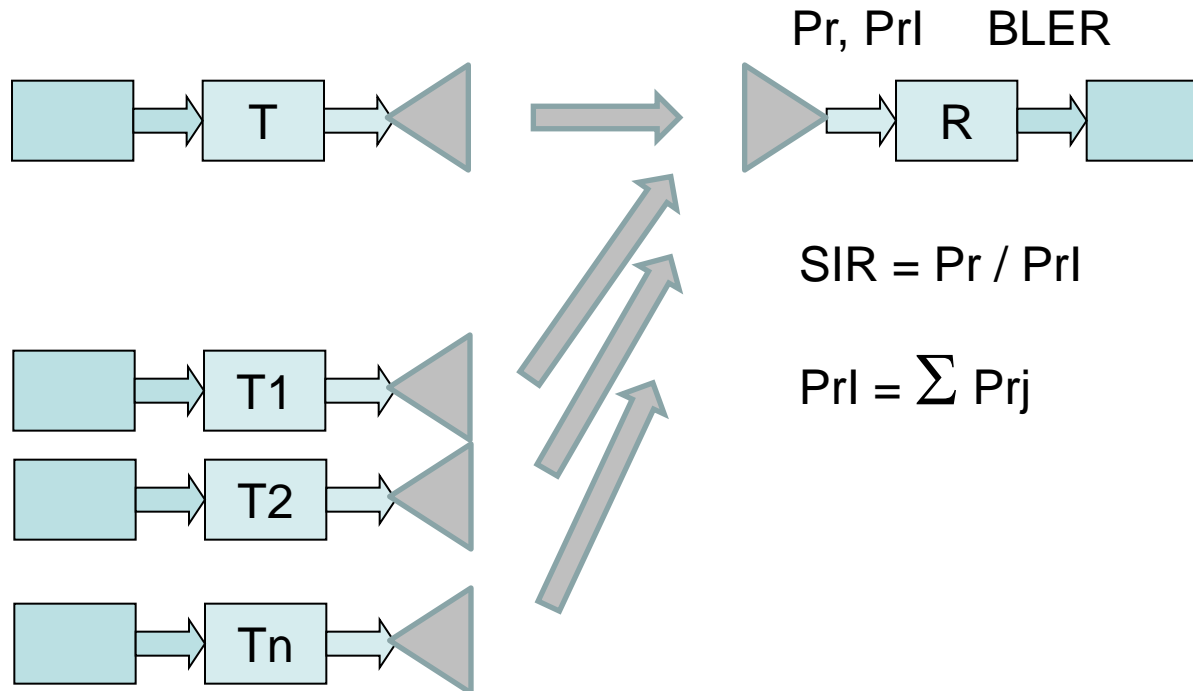


Capture Effect



If $SIR > \alpha$ then data block is captured by receiver, otherwise lost
Capture Probability: $P_c = \text{Prob} [SIR > \alpha] \rightarrow$ pdf of SIR is needed

Capture Effect



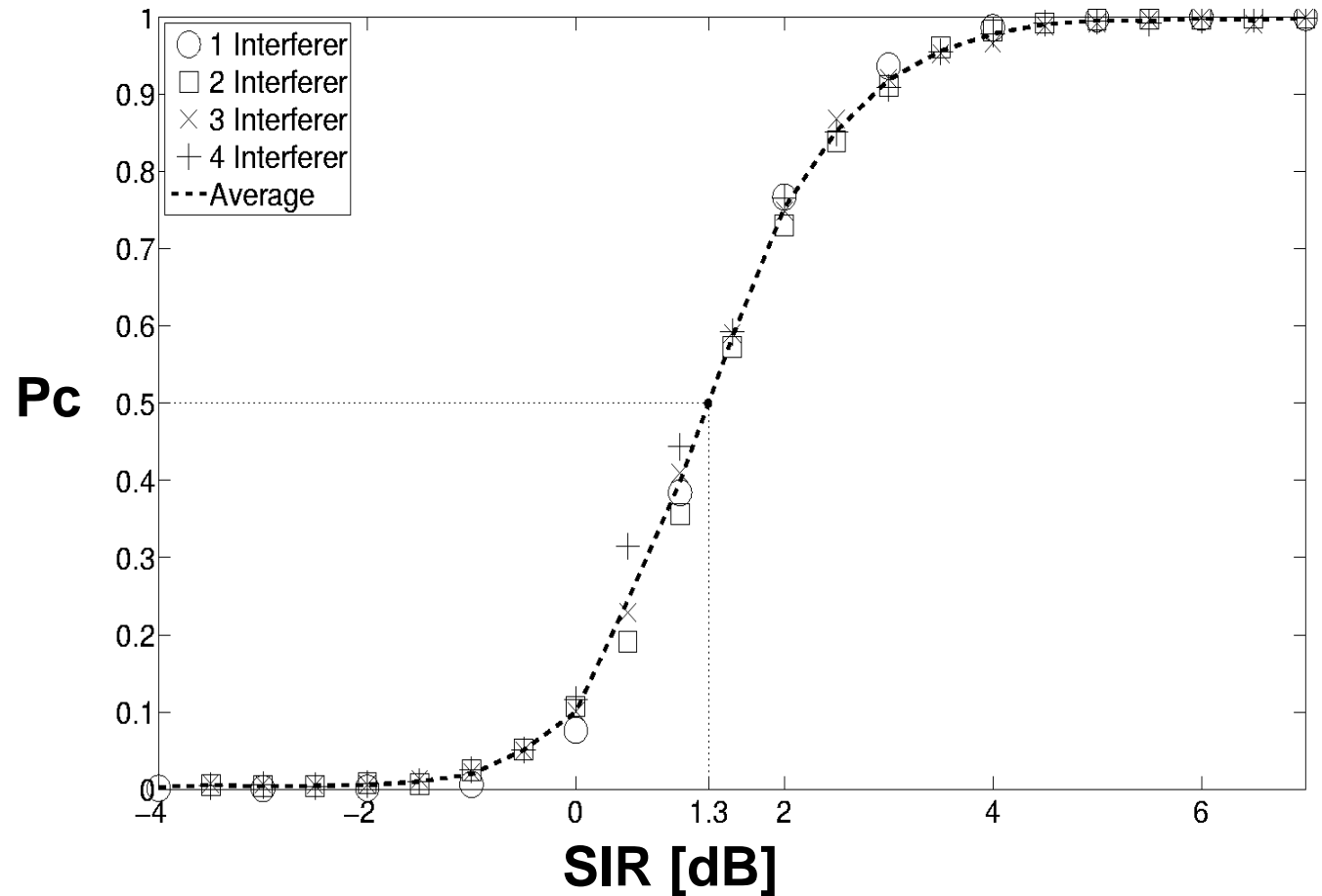
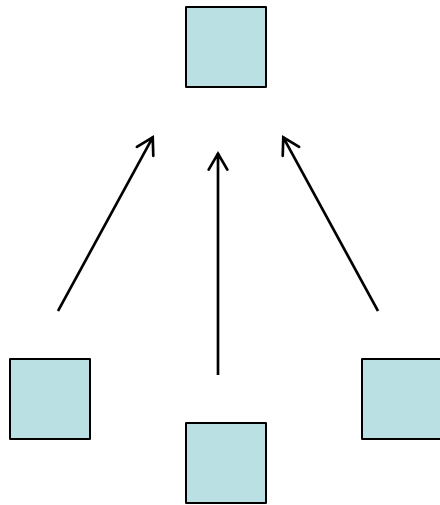
With multiple interferers, the interference power is the sum of powers

If $SIR > \alpha$ then data block is captured by receiver, otherwise lost

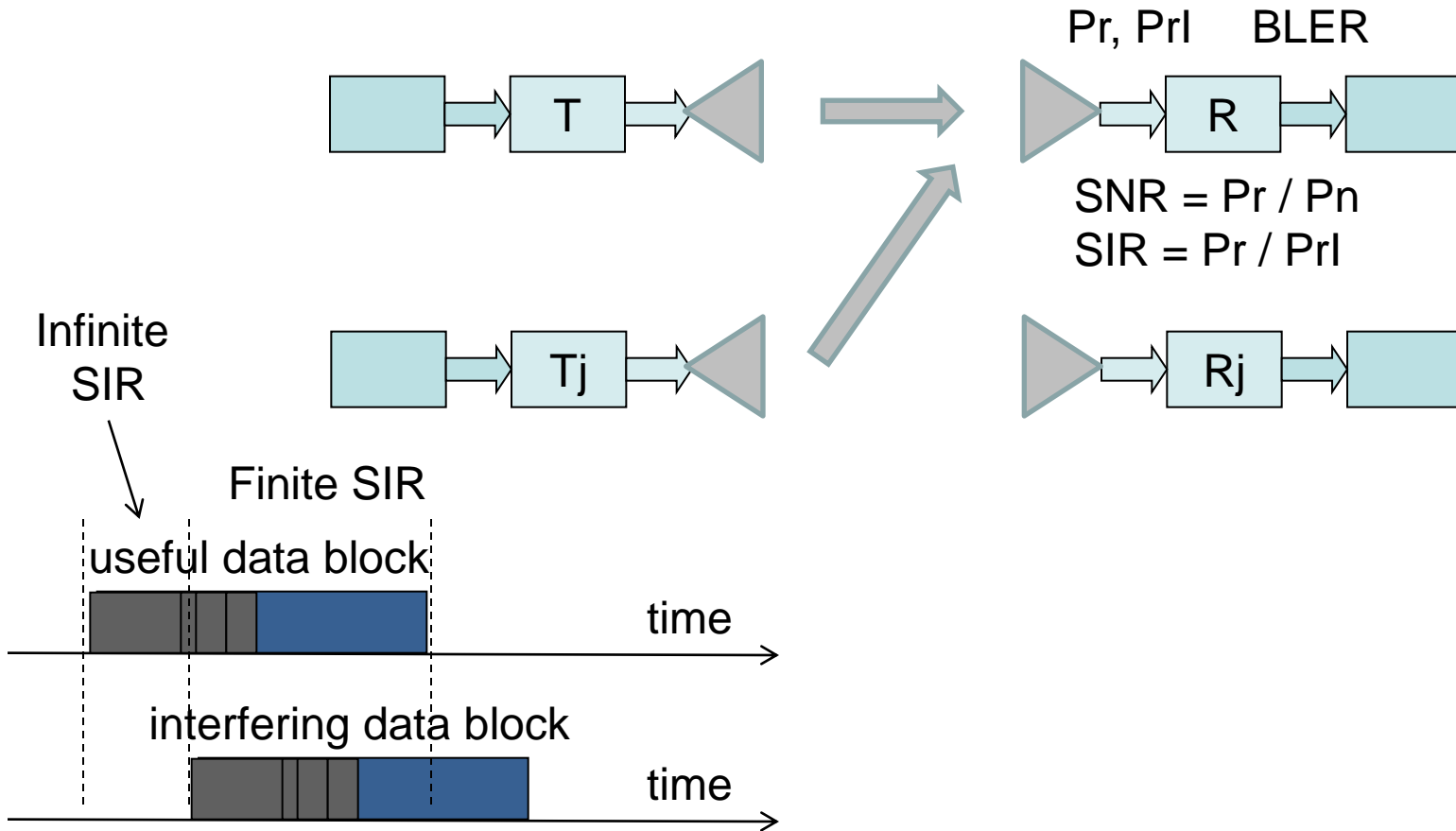
Capture Probability: $Pc = Prob [SIR > \alpha] \rightarrow$ pdf of SIR is needed

Capture Effect

Example: 802.15.4 Measurements



Capture Effect

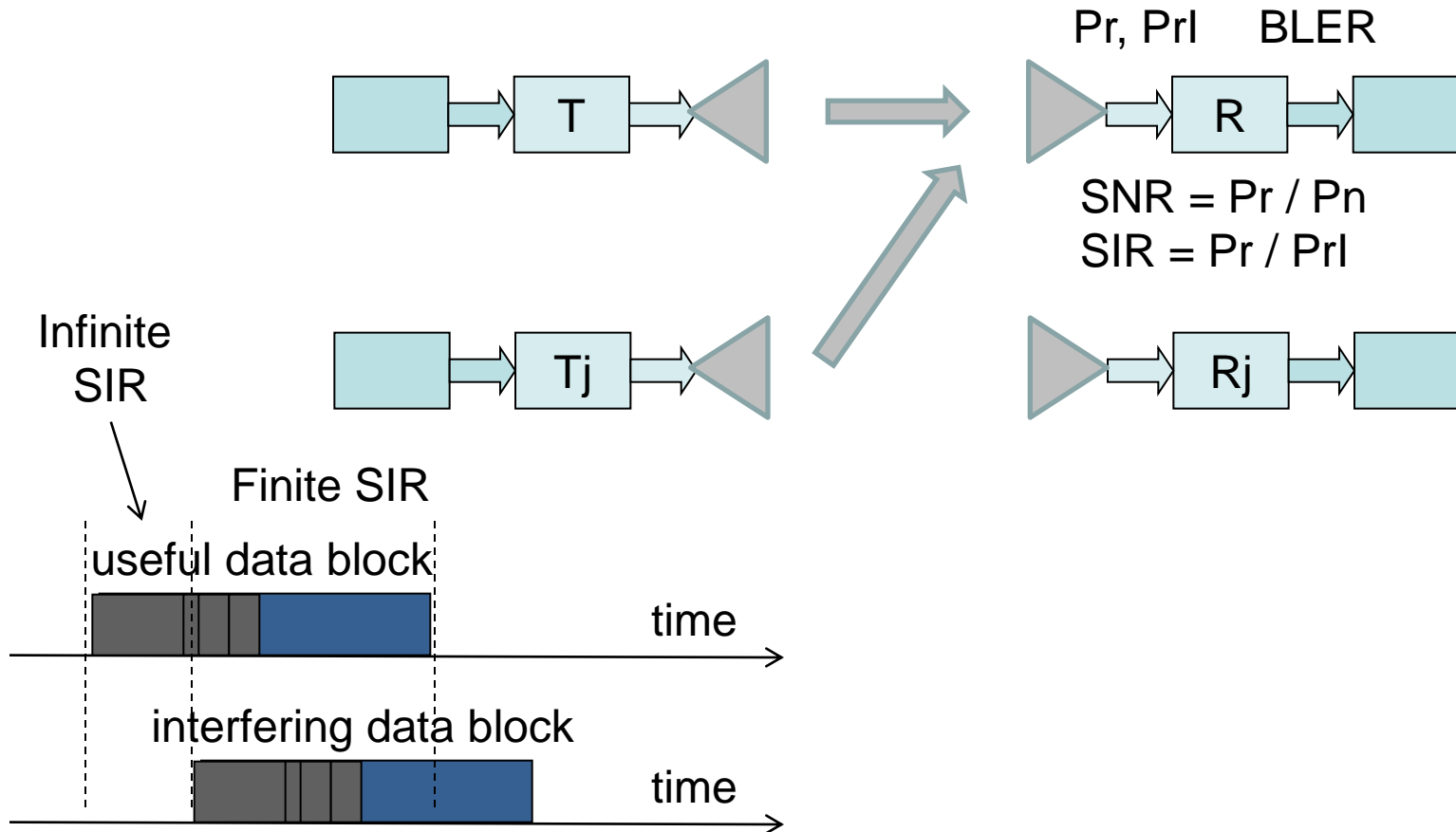


Data blocks transmitted *partially* simultaneously on the same frequencies



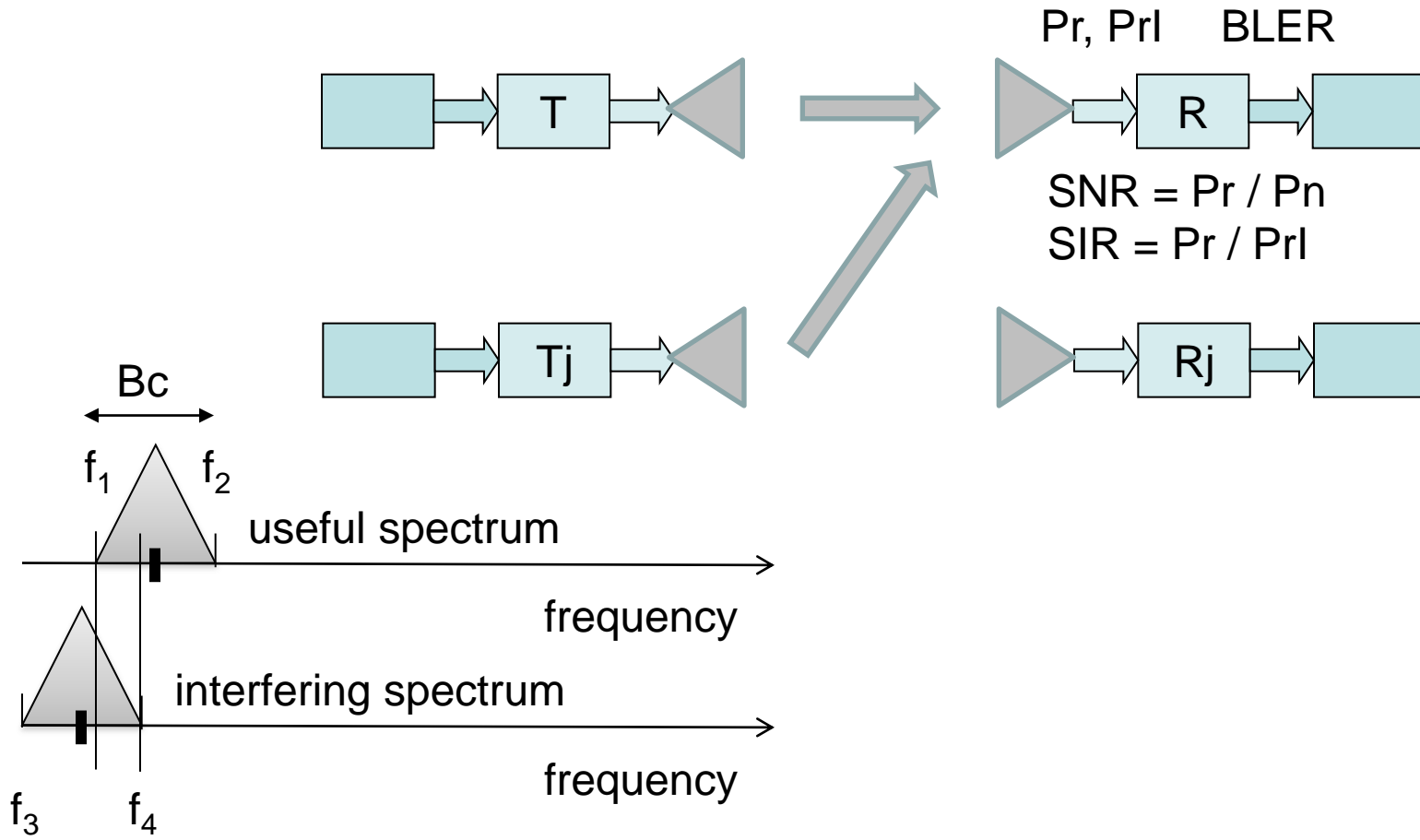
The minimum level of SIR is considered

Capture Effect

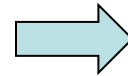


If $SIR > \alpha$ then data block is captured by receiver, otherwise lost
Capture Probability: $P_c = \text{Prob} [SIR_{min} > \alpha]$

Capture Effect

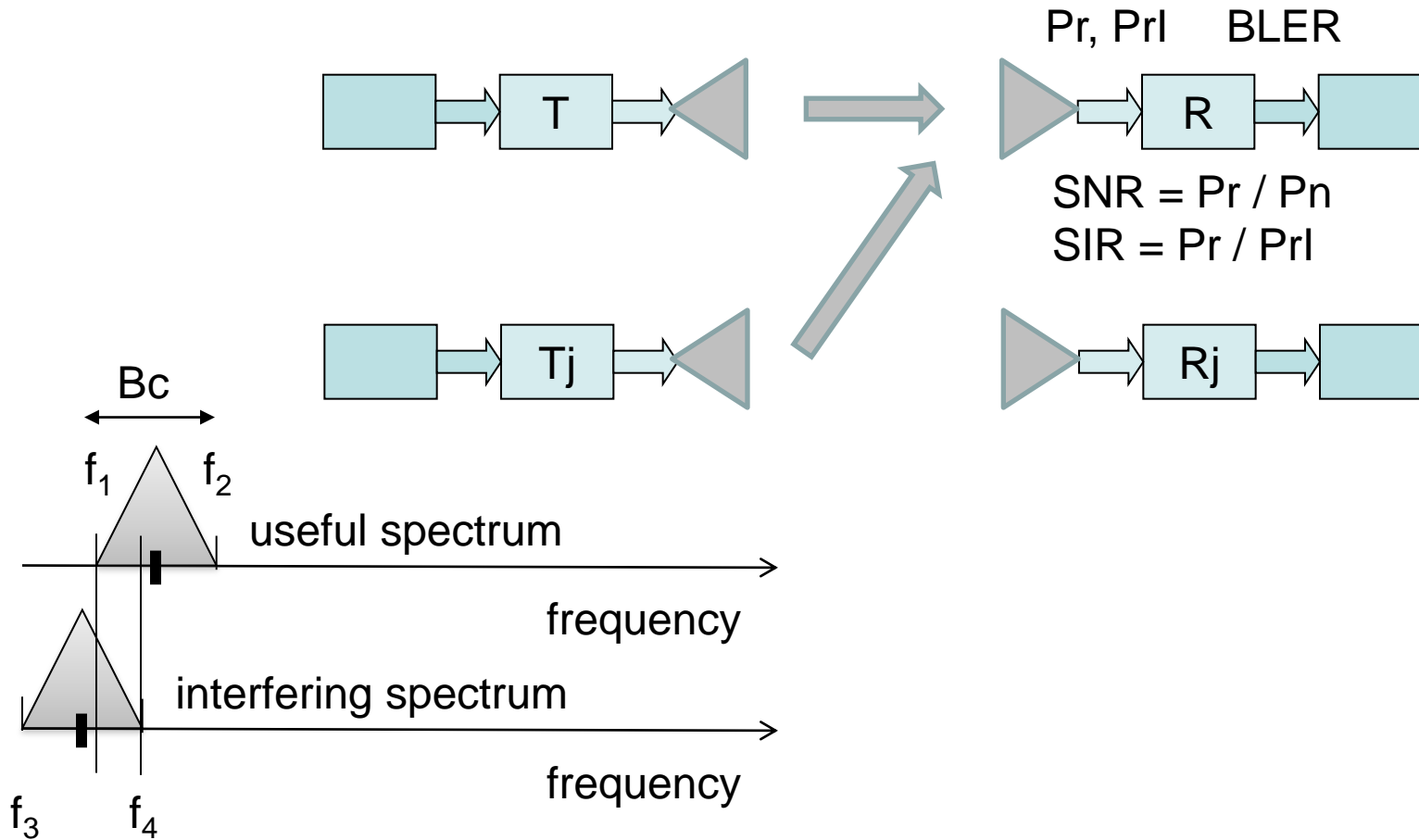


**data blocks transmitted simultaneously
partially on the same frequencies**



**The effective SIR
is considered**

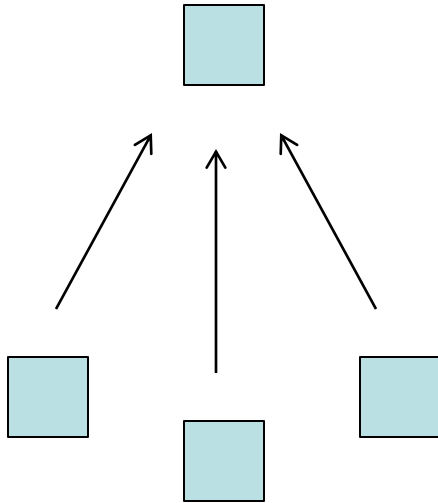
Capture Effect



If $\text{SIR} > \alpha$ then data block is captured by receiver, otherwise lost
Capture Probability: $P_c = \text{Prob} [\text{SIR}_{\text{eff}} > \alpha]$

Inquiry Based Session

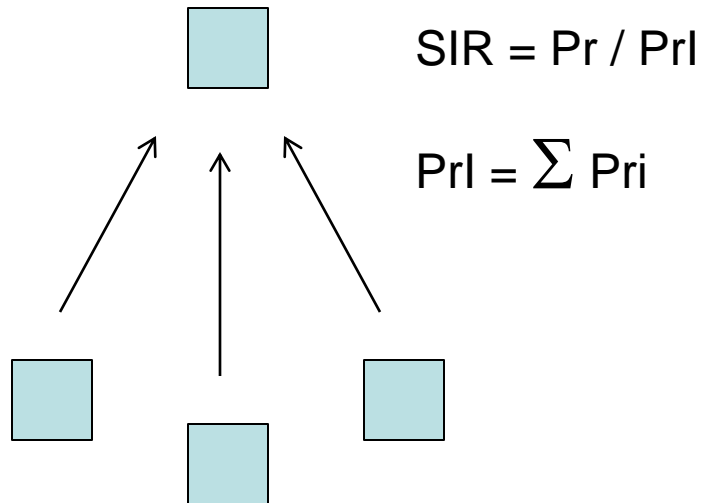
**Assume multiple nodes have to transmit to a given sink node.
Positions are known, received powers are known.
How can we ensure capture if the nodes need to transmit
simultaneously towards a given receiver?
(make the sink node as complex as you want)**



Inquiry Based Session

What is the underlying consideration behind the assumption that the overall interference power is the sum of powers?

Does the consideration always hold?



7. Direct Sequence Spread Spectrum with Interference

Direct Sequence Spread Spectrum with Interference

Unique code (sequence of binary chips of length Q) assigned to link.

Code used to generate bimodal (- 1; + 1) PAM signal $c(t)$

with rate $R_c = R_s * P$ where $P \gg 1$ ($P = Q$);

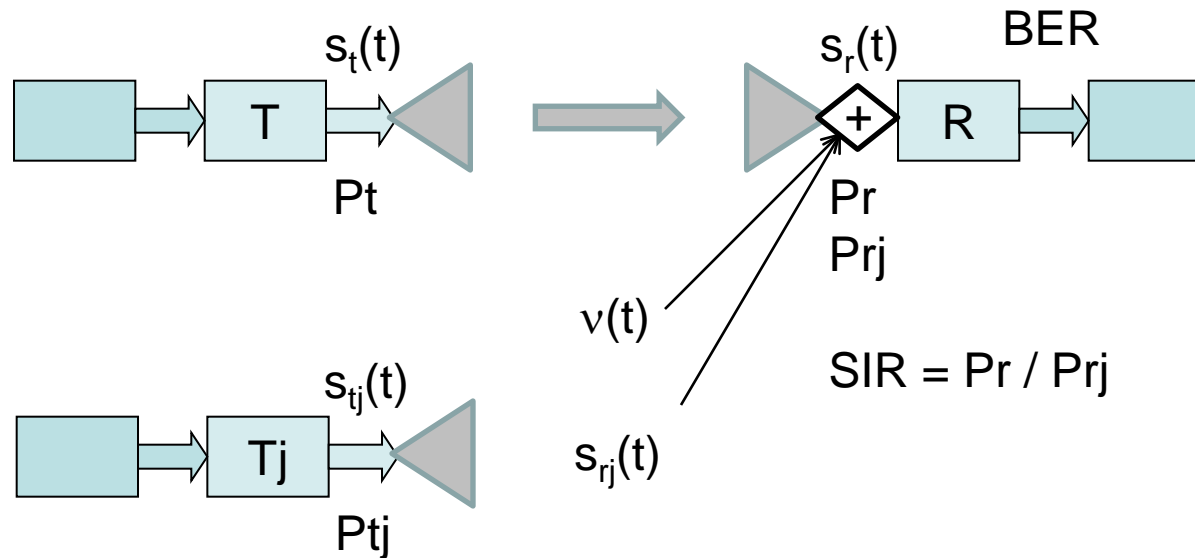
$c(t)$ multiplies the narrowband signal carrying the data.

At the receiver side multiplication again for the same PAM signal $c(t)$.

DSSS can be applied to any modulation format:

here, we consider BPSK.

Direct Sequence Spread Spectrum with Interference



Assumptions: asynchronous transmissions

Pseudo Noise chip sequence with $P \gg 1$

→ $BER = BER(SNR, SIR \cdot P)$ under Gaussian assumption

Math. derivation

P is also said **processing gain**.

8. Link Performance with Fading and Interference

Link Performance with Fading and Interference

Human – oriented applications: **BLER_a = Long term average BLER**

$$\begin{aligned} \text{BLER}_a &= E_{\text{SNR}} E_{\text{SIR}} [\text{BLER}(\text{SNR}, \text{SIR})] = g(\text{SNR}_a, \text{SIR}_a) \\ &= E_{P_r} E_{P_{rI}} [\text{BLER}(P_r, P_{rI})] = g(\text{SNR}_a, \text{SIR}_a) \end{aligned}$$

Computer – oriented applications: **P_{out} = Link Level Outage Probability**

$$\begin{aligned} P_{\text{out}} &= \text{Prob} [\text{BLER} > \text{BLER}^*] \\ &= \text{Prob} [\text{SNR} < \text{SNR}^* \text{ OR } \text{SIR} < \text{SIR}^*] = \\ &= P_{\text{out}}(\text{SNR}_a, \text{SIR}_a) \end{aligned}$$

Link Performance with Fading and Interference

What is the pdf of P_{rI} ?

What is the pdf of SIR ?

Since P_{rI} is the sum of P_{rj} , the pdf of P_{rI} is the convolution of the pdfs of P_{rj} , $j = 1, \dots, N_{int}$.

Assume $SIR \gg 1$ (the situation of interest). Therefore $P_{ra} \gg P_{rIa} > P_{rja}$.

Assume Rayleigh fading: variance is equal to the square of the mean.
Therefore $\sigma_{Pr}^2 \gg \sigma_{P_{rj}}^2$. So, let's neglect the randomness of P_{rj} ($\sigma_{P_{rj}}^2 = 0$).

Then, $SIR = Pr / P_{rI} \approx Pr / E[P_{rI}]$ where $E[P_{rI}] = \sum E[P_{rj}] = \sum P_{rja} = N_{int} P_{rja}$ and it has pdf given by the pdf of Pr except for the constant $N_{int} P_{rja}$, i.e. it is negative exponentially distributed with mean $P_{ra} / N_{int} P_{rja}$, that is, P_{ra} / P_{rIa} .

Link Performance with Fading and Interference

Noise limited system

$$\gamma = \text{SNR}$$

$$p_{\gamma}(\gamma) = (1/\gamma_a) \exp(-\gamma/\gamma_a) u(\gamma)$$

$$\gamma_a = \text{SNRa} = \text{Pra}/\text{NoRb}$$

$$\text{BLERa} = \text{Int} [\text{BLER}(\gamma) p_{\gamma}(\gamma) d\gamma]$$

$$\text{Pout} = 1 - \exp(-\gamma^*/\gamma_a)$$

Interference limited system

$$\xi = \text{SIR}$$

$$p_{\xi}(\xi) \approx (1/\xi_m) \exp(-\xi/\xi_m) u(\xi)$$

$$\xi_m = \text{SIRm} = \text{Pra}/\text{PrIa} \\ \neq E[\text{SIR}] = E[\text{Pr}/\text{PrI}]$$

$$\text{BLERa} \approx \text{Int} [\text{BLER}(\xi) p_{\xi}(\xi) d\xi]$$

$$\text{Pout} \approx 1 - \exp(-\xi^*/\xi_m)$$

Link Performance with Fading and Interference

Interference limited system

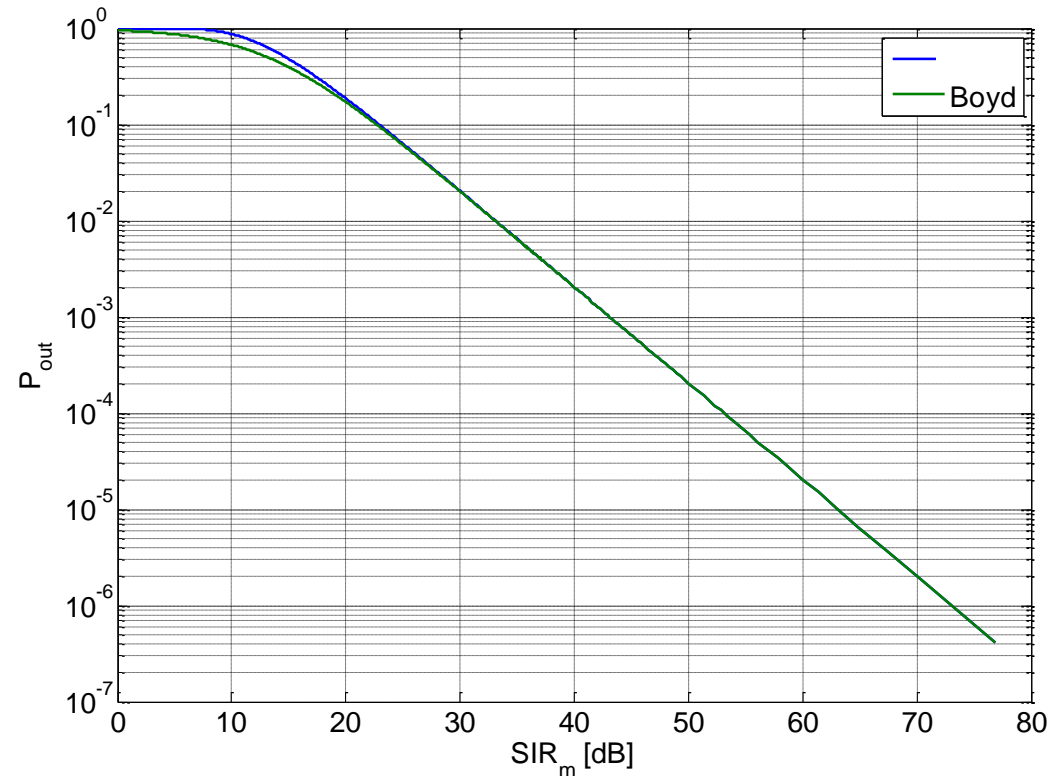
[Boyd, 1996]

$$P_{out} < 1 - \exp(-\xi^*/\xi_m)$$

upper bound

$$P_{out} > 1 / (1 + \xi_m/\xi^*)$$

lower bound



Exercise DTI#3

A radio network uses QPSK over an AWGN channel with ARQ. The system uses raised cosine filtering with roll-off factor 0.35. Data blocks have size 1 Kbytes. The bit rate is 54 Mbit/s. The channel bandwidth is 22 MHz, centred at carrier frequency 2.45 GHz. The (monolateral) noise density power is 10^{-20} W/Hz.

Under free space conditions, with unitary antenna gains and connection losses, transmit powers set at 20 dBm, the network is composed of two simultaneously transmitting links. The first transmitter, T1, moves away from its receiver, R1, on a straight line. The second transmitter, T2, has fixed distance from R1 set at 7000 m. Compute the maximum useful distance compatible with a BLER requirement of 0.01.

Repeat the exercise with two interferers both located at 100 m from the useful receiver.

Exercise DTI#4

A radio network uses QPSK over an AWGN channel with ARQ. The system uses raised cosine filtering with roll-off factor 0.35. Data blocks have size 1 Kbytes. The bit rate is 54 Mbit/s. The channel bandwidth is 22 MHz, centred at carrier frequency 2.45 GHz. The (monolateral) noise density power is 10^{-20} W/Hz.

Under free space conditions, with unitary antenna gains and connection losses, transmit powers set at 20 dBm, the network is composed of two simultaneously transmitting links. The first transmitter, T1, moves away from its receiver, R1, on a straight line. The second transmitter, T2, has fixed distance from R1 set at 7000 m. Compute the maximum useful distance compatible with a BLER requirement of 0.01.

Assuming Rayleigh fading, superimposed to the received powers computed through the Friis formula, estimate the outage probability as a function of the T1-R1 distance, with a requirement on BLER of 0.01.

9. Impact on Interference of Countermeasures to Fading

Inquiry Based Session

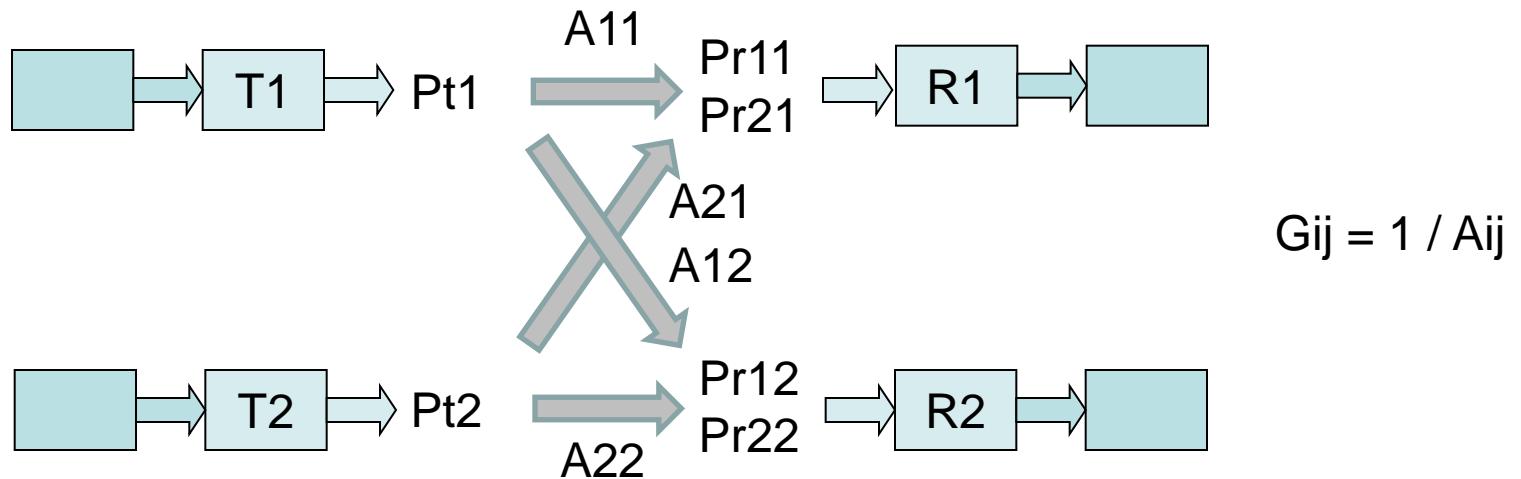
What among the countermeasures to fading that we discussed have any impact on the way the system works in the presence of some interferers?

- 1. Interleaving**
 - 2. Adaptive Modulation and Coding**
 - 3. Diversity**
 - 4. Direct Sequence Spread Spectrum**
 - 5. Frequency Hopping Spread Spectrum**
 - 6. Multi Carrier Modulation**
 - 7. Signal-Based Power Control**
-

10. Power Control

Under a Network Level View

Network Level View



$$\begin{aligned} Pr_{11} &= Pt_1 G_{11} \\ Pr_{21} &= Pt_2 G_{21} \end{aligned}$$

$$SIR_1 = Pr_{11} / Pr_{21}$$

$$\begin{aligned} Pr_{12} &= Pt_1 G_{12} \\ Pr_{22} &= Pt_2 G_{22} \end{aligned}$$

$$SIR_2 = Pr_{22} / Pr_{12}$$

Signal Based (Full Compensation) Power Control

- $P_{r11} \geq P_{ro}$
- $P_{r22} \geq P_{ro}$

→ Two independent requirements:

$$P_{t1} \geq P_{ro} / G_{11}$$

$$P_{t2} \geq P_{ro} / G_{22}$$

SIR values are not kept under control (assume e.g. equalities hold above):

$$SIR1 = G_{22} / G_{21}$$

$$SIR2 = G_{11} / G_{12}$$

SB-PC requires no centralisation. No control in IL conditions.

Interference Based Power Control

- $SIR_1 \geq SIR_o$
- $SIR_2 \geq SIR_o$

→ Two correlated requirements:

$$P_{t1} \geq SIR_o \quad P_{t2} G_{21} / G_{11} = \Pi_1$$

$$P_{t2} \geq SIR_o \quad P_{t1} G_{12} / G_{22} \rightarrow P_{t1} \leq SIR_o^{-1} \quad P_{t2} G_{22} / G_{12} = \Pi_2$$

$$\rightarrow \Pi_1 \leq P_{t1} \leq \Pi_2$$

A solution exists iff

$$\rightarrow \begin{aligned} \Delta = \Pi_2 - \Pi_1 &\geq 0 \\ G_{11} G_{22} / G_{12} G_{21} &\geq SIR_o^2 \end{aligned}$$

IB-PC requires centralisation.

Interference and Signal Based Power Control

- $P_{t1} \geq P_{ro} / G_{11}$ (Noise Limited conditions)
- $P_{t2} \geq P_{ro} / G_{22}$ (Noise Limited conditions)
- $P_{t1} \geq S_{IRo} P_{t2} G_{21} / G_{11}$ (Interference Limited conditions)
- $P_{t2} \geq S_{IRo} P_{t1} G_{12} / G_{22}$ (Interference Limited conditions)

Procedure for assignment:

- 1) Check condition on Δ
- 2) Set P_{t1} in NL conditions
- 3) Set P_{t2} in IL conditions
- 4) Check if $P_{t2} \geq P_{ro} / G_{22}$; if not, set $P_{t2} = P_{ro} / G_{22}$
- 5) Check if $P_{t1} \geq S_{IRo} P_{t2} G_{21} / G_{11}$;
if not, set $P_{t1} = S_{IRo} P_{t2} G_{21} / G_{11}$ and go back to step 3
- 6) Done

Exercise DTI#5

A network is composed of two links, and an interference and signal based PC scheme is used. Assign transmit powers under the following assumptions:

- Gains are computed as $G = k d^{-4}$ where $k = 0.001$
- $d_{11} = 100$ m, $d_{22} = 100$ m
- $d_{12} = 200$ m, $d_{21} = 200$ m
- $P_{ro} = 10^{-12}$ W
- $SIR_o = 10$ dB

Repeat the exercise with $d_{11} = 10$ m, $d_{22} = 10$ m.

Repeat the exercise with $d_{11} = 100$ m, $d_{22} = 100$ m, $d_{12} = 150$ m, $d_{21} = 150$ m.

DTI

Radio Networks

Digital Transmission in Interf. Limited Systems

The End
